

## DETAILS

<b>Product Number</b>	2FA11992_STRADA-T-DN-EP
<b>Family</b>	Strada
<b>Type</b>	Assembly
<b>Color</b>	clear
<b>Diameter</b>	19,8 x 15,5 mm
<b>Height</b>	8,75 mm
<b>Style</b>	rectang
<b>Optic Material</b>	PMMA
<b>Holder Material</b>	
<b>Fastening</b>	tape, screw
<b>Status</b>	production ready
<b>ROHS Compliant</b>	Yes
<b>Date Updated</b>	8/03/2014



## OPTICAL PROPERTIES

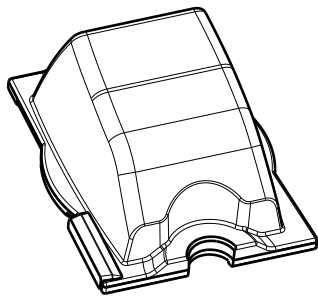
LED	Viewing Angle	Light Beam	Efficiency	cd/lm	Connector
XP-E	Asymmetric deg	Streetligh...	92 %	-	-
XP-G	Asymmetric deg	Streetligh...	92 %	-	-
H35C0 (LEMWA33)	Asymmetric deg	Streetligh...	89 %	0.490	-
LUXEON Rebel	Asymmetric deg	Streetligh...	91 %	-	-
LUXEON Rebel ES	Asymmetric deg	Streetligh...	92 %	-	-
NCSxx19A	Asymmetric deg	Streetligh...	87 %	-	-
NVSxx19A	Asymmetric deg	Streetligh...	87 %	-	-
Oslon SSL 80	Asymmetric deg	Streetligh...	91 %	-	-
Oslon SSL 150	Asymmetric deg	Streetligh...	-	-	-
Z5	Asymmetric deg	Streetligh...	-	-	-
Double Dome (GM2BB)	Asymmetric deg	Streetligh...	-	-	-

D

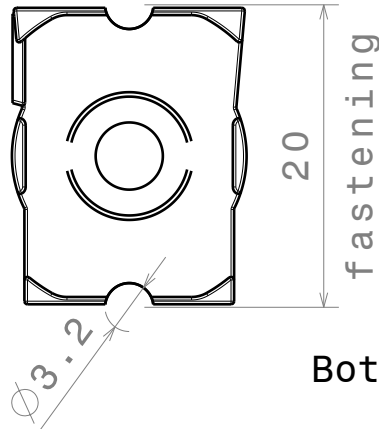
C

B

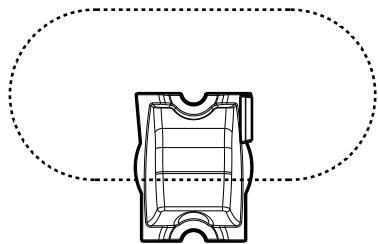
A



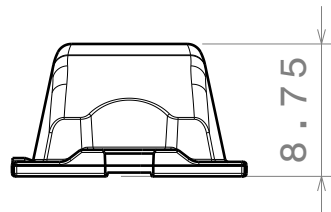
Isometric view



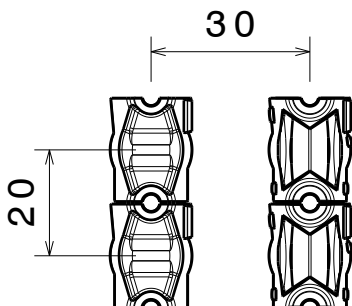
Bottom view



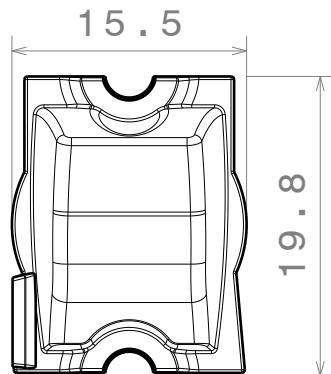
Beam direction



Front view



Strada lens arrangement recommendation



Top view

MATERIALS  
 Lens: PMMA  
 Tape(optional): PU Foam

Part no. with tape fastening: CA11992\_Strada-T-DN

This drawing is our property.  
 It can't be reproduced  
 or communicated without  
 our written agreement.



Ledil Oy  
 Tehdaskatu 13  
 FIN-24100 SALO  
 Finland

DRAWING TITLE

Datasheet Strada-T-DN-EP Lens

DRAWN BY

pv

DATE

05.09.2011

CHECKED BY

j1

DATE

5.9.2011

DESIGNED BY

hh

DATE

14.05.2010

SIZE  
A4

DRAWING NUMBER

C11896

REV

1

SCALE

2:1

WEIGHT (g)

SHEET

1/1

D

A

4

4

3

3

2

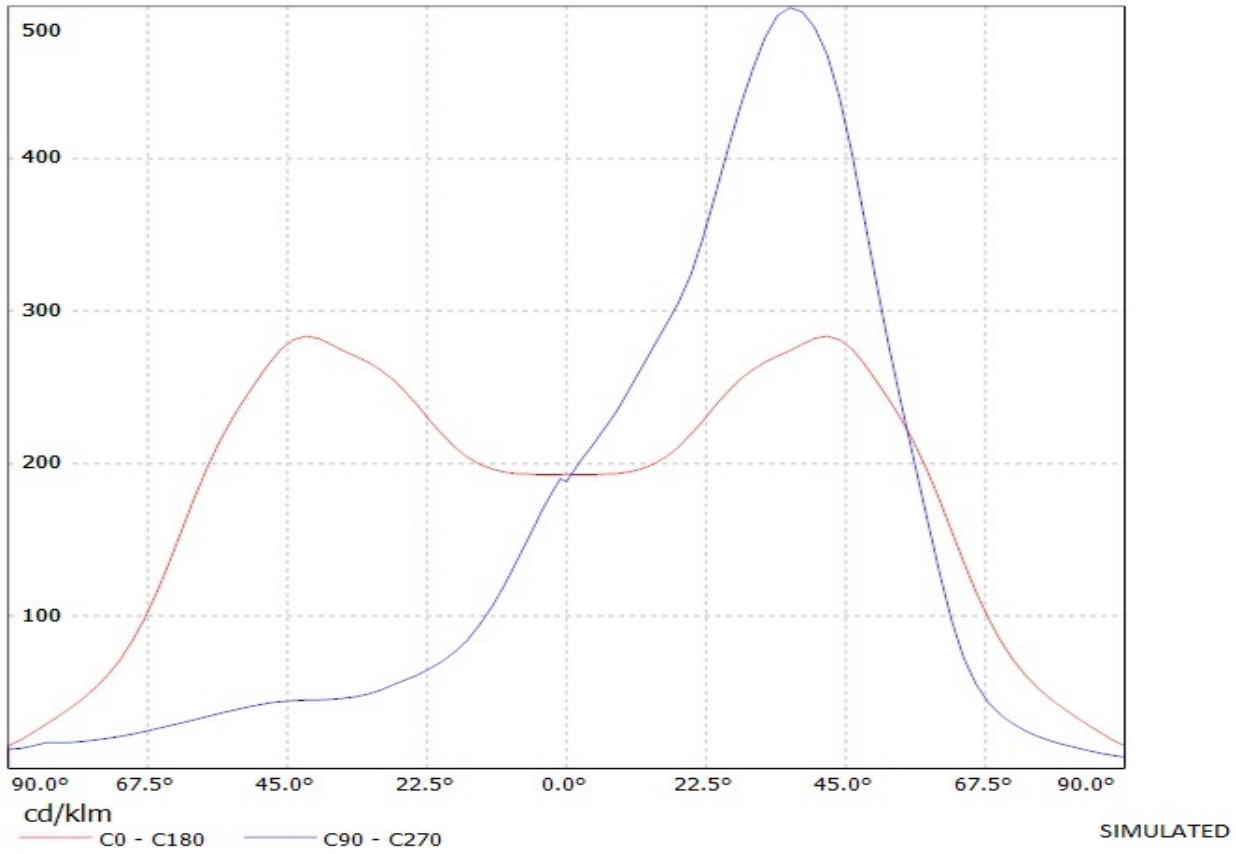
2

1

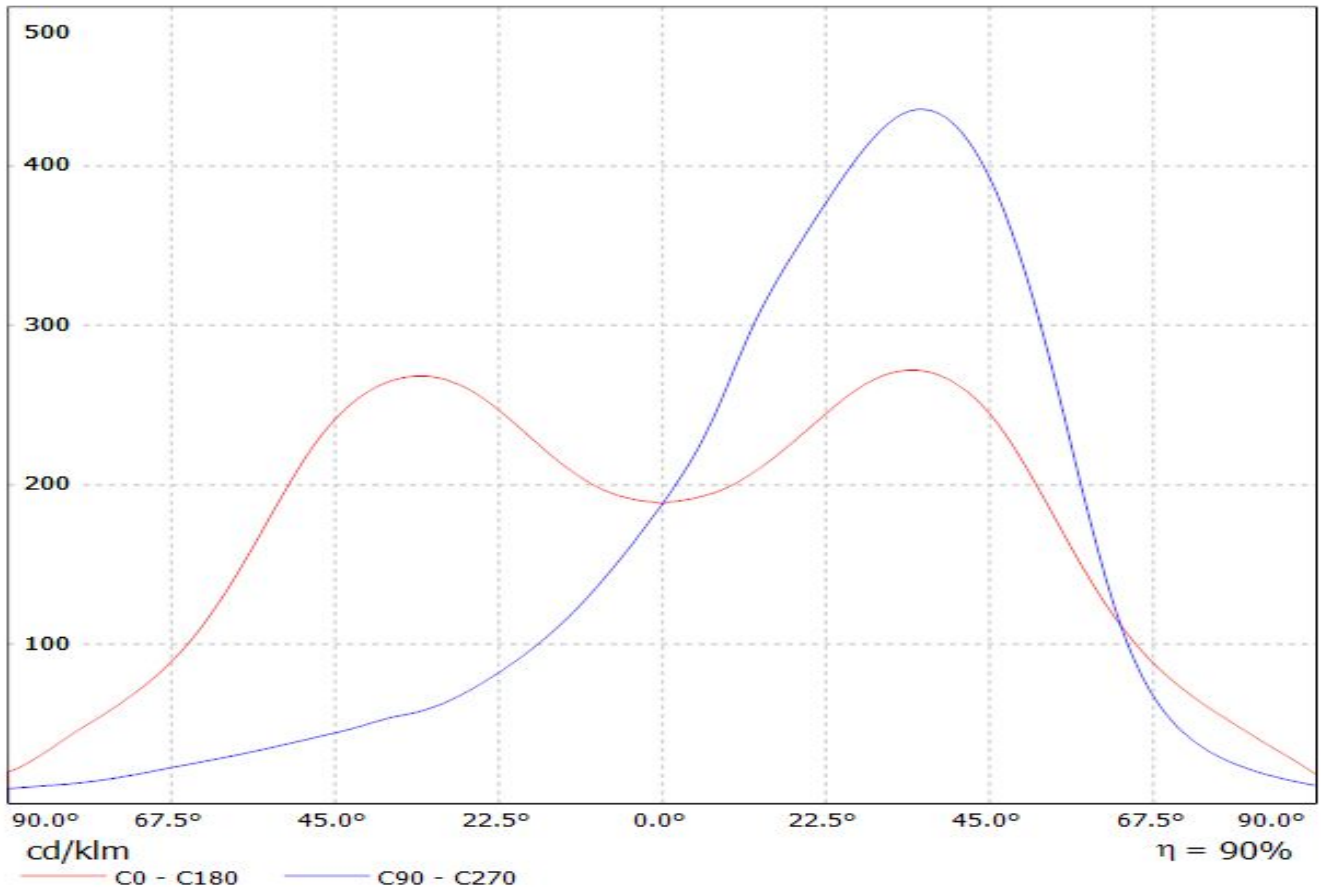
1

# Ledil Oy C11415\_Strada-T-DN-XP C11415\_Strada-T-DN-XP / LDC (Linear)

Luminaire: Ledil Oy C11415\_Strada-T-DN-XP C11415\_Strada-T-DN-XP  
Lamps: 1 x Cree XP-E (White)



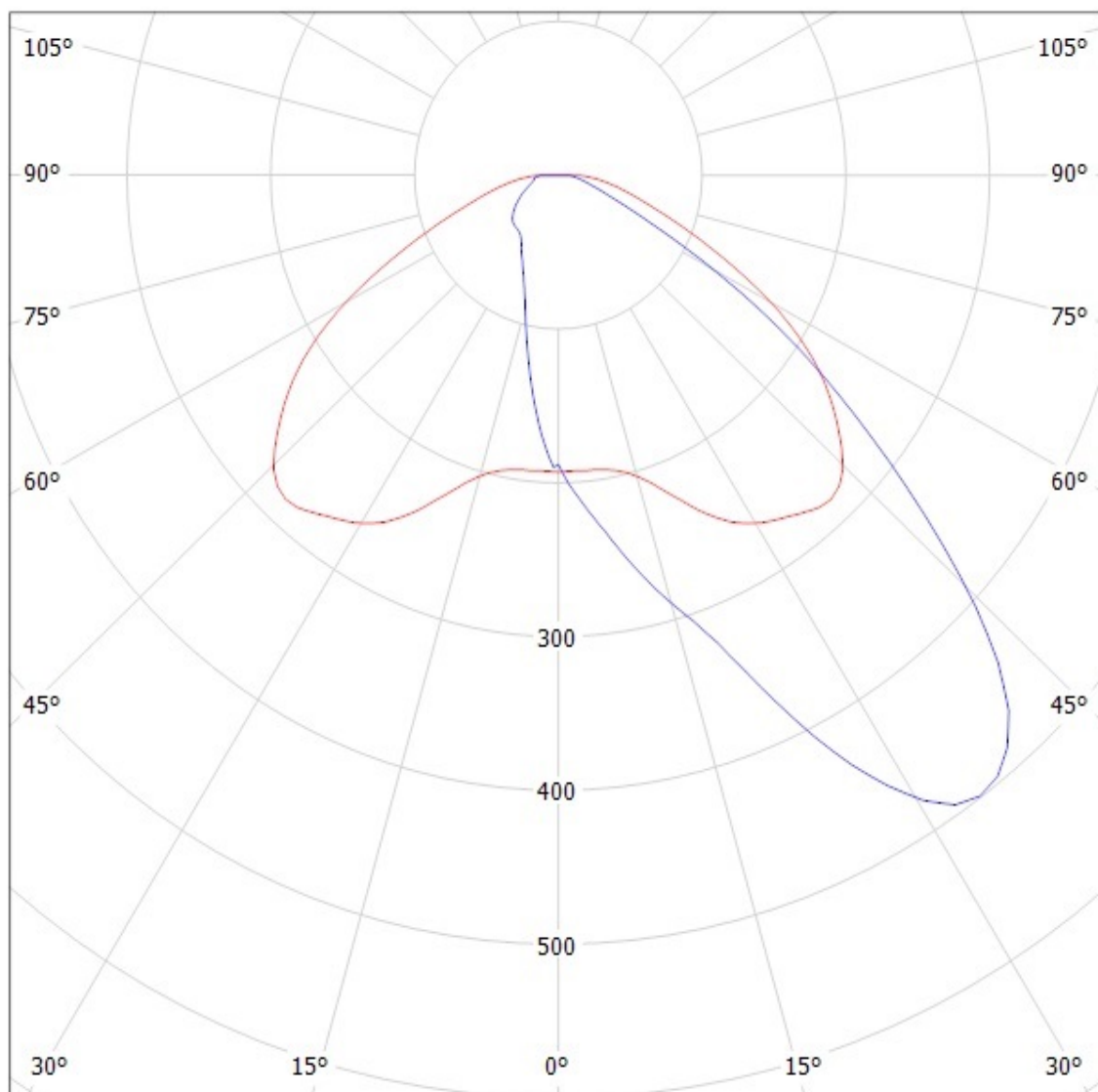
Luminaire: LEDiL Oy 2FA11992\_STRADA-T-DN-EP\_(LG3535) Eff. 89,1%  
Lamps: 1 x LG Ceramic 3535 PKG (95lm@250mA)



# Ledil Oy C11415\_Strada-T-DN-XP C11415\_Strada-T-DN-XP / LDC (Polar)

Luminaire: Ledil Oy C11415\_Strada-T-DN-XP C11415\_Strada-T-DN-XP

Lamps: 1 x Cree XP-E (White)



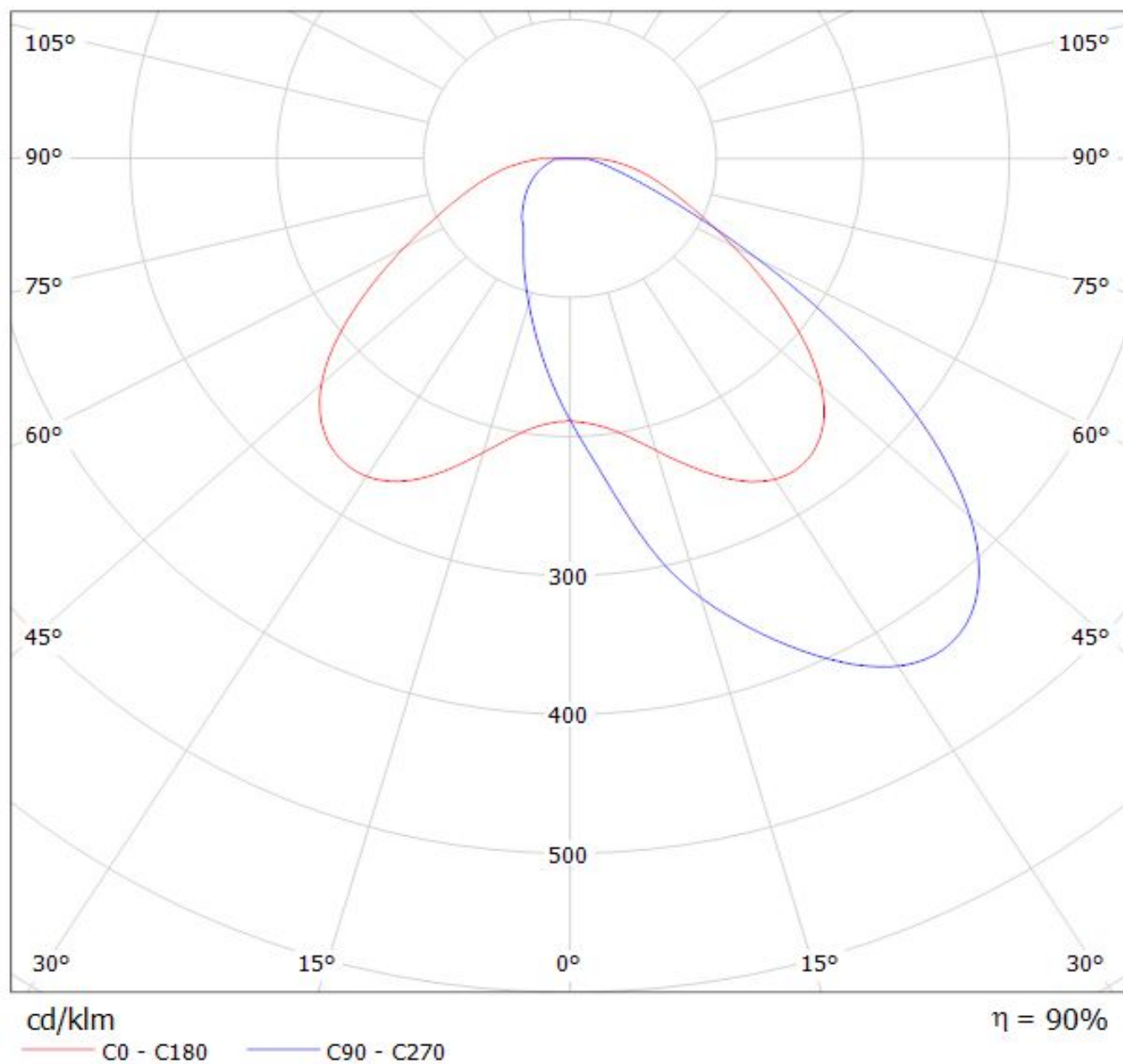
cd/klm

— C0 - C180

— C90 - C270

SIMULATED

Luminaire: LEDiL Oy 2FA11992\_STRADA-T-DN-EP\_(LG3535) Eff. 89,1%  
Lamps: 1 x LG Ceramic 3535 PKG (95lm@250mA)



**NOTE: The typical divergence will be changed by different color, chip size and chip position tolerance. The typical total divergence is the full angle measured where the luminous intensity is half of the peak value.**