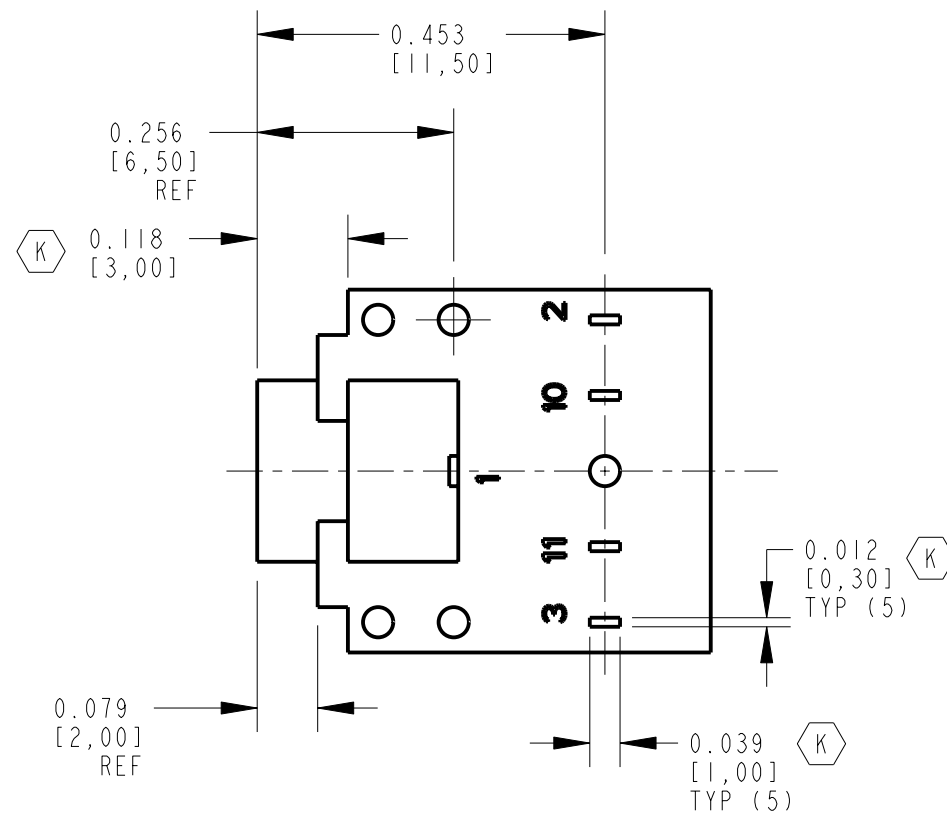
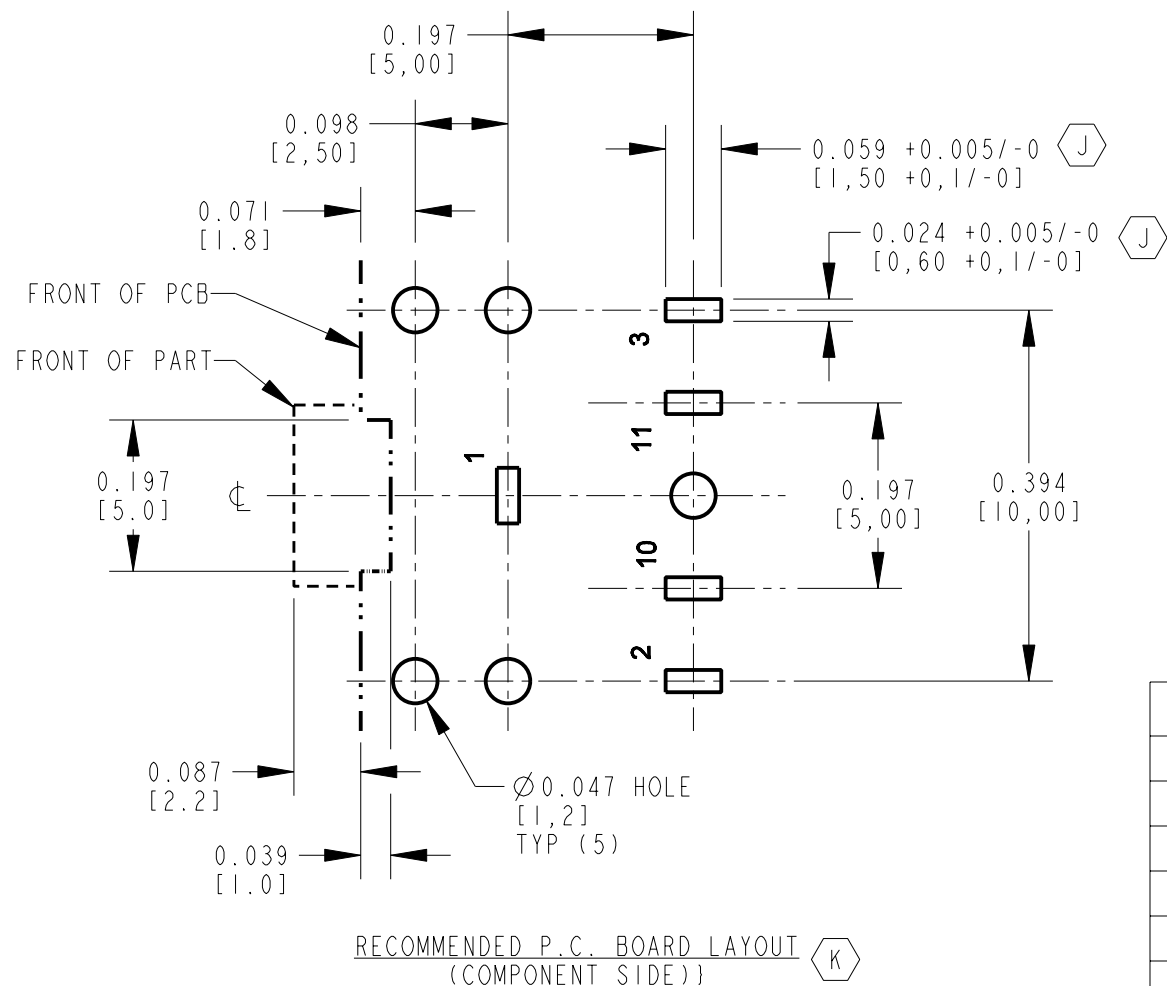
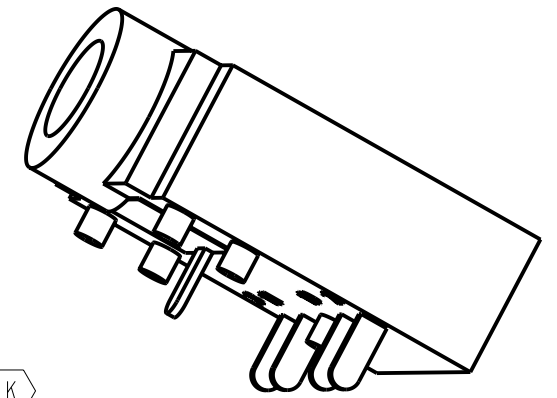
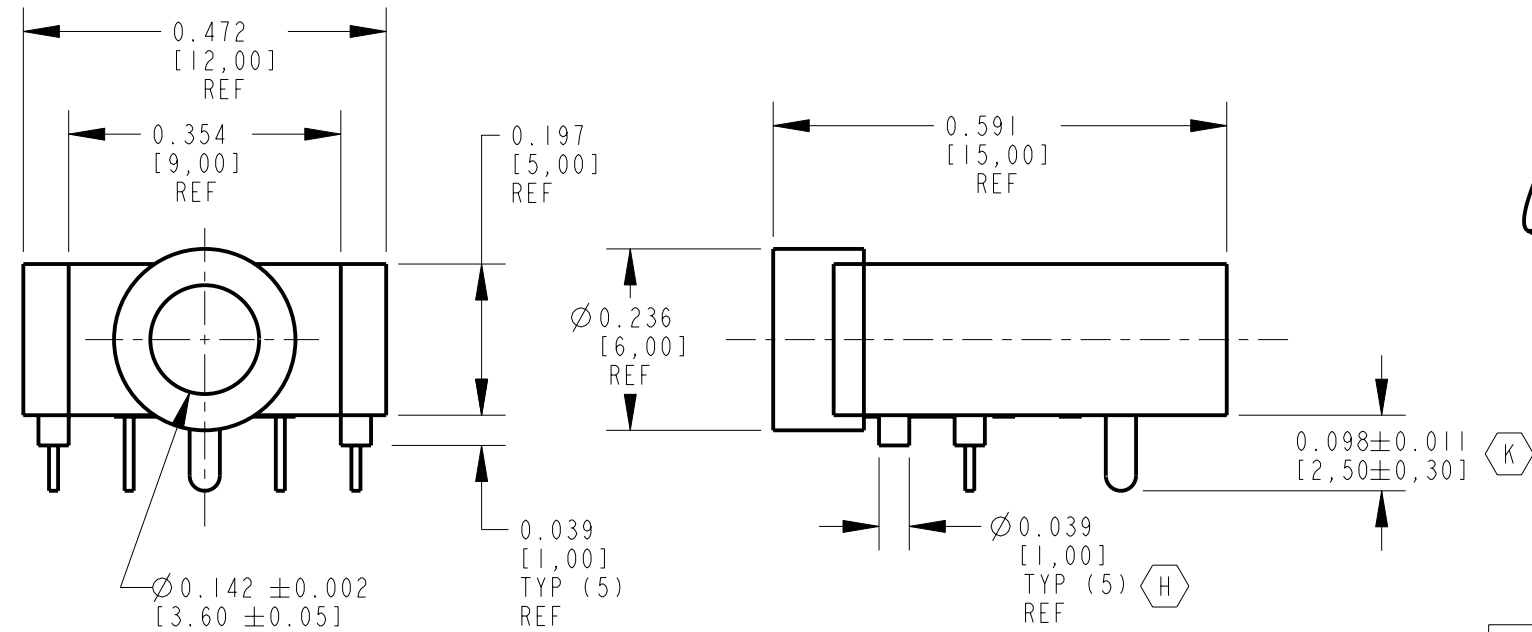


NOTES:

- ELECTRICAL:  
CONTACT RESISTANCE: 0.030 OHMS MAX INITIAL,  
0.100 OHMS MAX AFTER LIFE TEST.  
INSULATION RESISTANCE: 100 MEGAOHMS MIN @ 500 VDC  
DIELECTRIC WITHSTANDING VOLTAGE: 500 VAC
- MECHANICAL:  
LIFE: 5000 CYCLES  
INSERTION FORCE: 0,4 KG TO 3 KG  
WITHDRAWAL FORCE: 0,4 KG TO 3 KG
- MATERIALS:  
HOUSING: PBT, BLACK, UL94V-0  
COVER: PBT, BLACK, UL94V-0  
BUSHING: BRASS, NICKEL PLATED  
SPRINGS: SLEEVE-PHOSPHOR BRONZE, SILVER PLATED  
SHUNT-BRASS, SILVER PLATED.  
TIP & RING - COPPER ALLOY, SILVER PLATED
- THIS PRODUCT IS RoHS COMPLIANT.



SHOWN 35RAPC4BHN2

| PART NUMBER | SCHEMATIC |
|-------------|-----------|
| 35RAPC2AHN2 |           |
| 35RAPC3BHN2 |           |
| 35RAPC4BHN2 |           |
| 35RAPC2BHN2 |           |

CUSTOMER DRAWING

| REV | ECO NUMBER  | DATE     | BY  | APVD |
|-----|-------------|----------|-----|------|
| K   | 27056       | 11-20-12 | TO  | TJK  |
| J   | 26998       | 7-20-12  | TO  | TJK  |
| H   | 26658       | 11-10-10 | TO  | TJK  |
| G   | 26553       | 6-8-10   | TJK | TJK  |
| F   | ECO # 24453 | 4-10-03  | SRC | TJK  |

REVISIONS

★ STAR SYMBOL DENOTES CRITICAL DIMENSION

UNLESS OTHERWISE SPECIFIED

- ALL DIMENSIONS IN INCHES  
- TWO PLACE DECIMALS ±0.01  
- THREE PLACE DECIMALS ±0.005  
- FRACTIONAL DIMENSIONS ±1/64  
- ANGLES ±1°  
- ALL DIA. CONCENTRIC WITHIN 0.005 T.I.R.
- FEATURES ON THE SAME CENTERLINE MUST BE ALIGNED WITHIN ±0.002
- REMOVE ALL BURRS

DO NOT SCALE DRAWING

THIS DRAWING DESCRIBES A DESIGN CONSIDERED PROPRIETARY IN NATURE, DEVELOPED AND MANUFACTURED BY SWITCHCRAFT INC. AND IS RELEASED ON A CONFIDENTIAL BASIS FOR IDENTIFICATION PURPOSES ONLY.

| SIZE                               | WIDTH | MULT     | LBS/M        | TEMPER |
|------------------------------------|-------|----------|--------------|--------|
| FINISH                             |       | MATERIAL |              |        |
| SPEC No.                           |       | SPEC No. |              |        |
| FIRST USED ON                      |       | SCALE    |              |        |
|                                    |       | 4:1      |              |        |
| DATE DRAWN                         | BY    | CHKD     | APVD         |        |
| 9-Dec-93                           | LR    | LR       | EBR          |        |
|                                    |       | 12-10-93 | 12-10-93     |        |
| NAME                               |       |          | PART No.     | REV    |
| 3.5MM HORIZONTAL STEREO JACK, RoHS |       |          | 35RAPC_ _HN2 | K      |
| SHEET                              |       |          |              | OF     |
| 1                                  |       |          |              | 1      |

**Switchcraft**