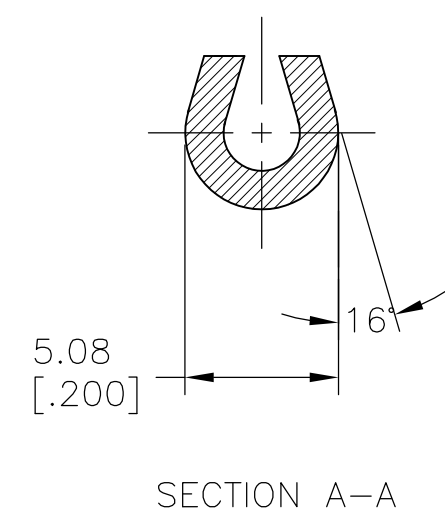
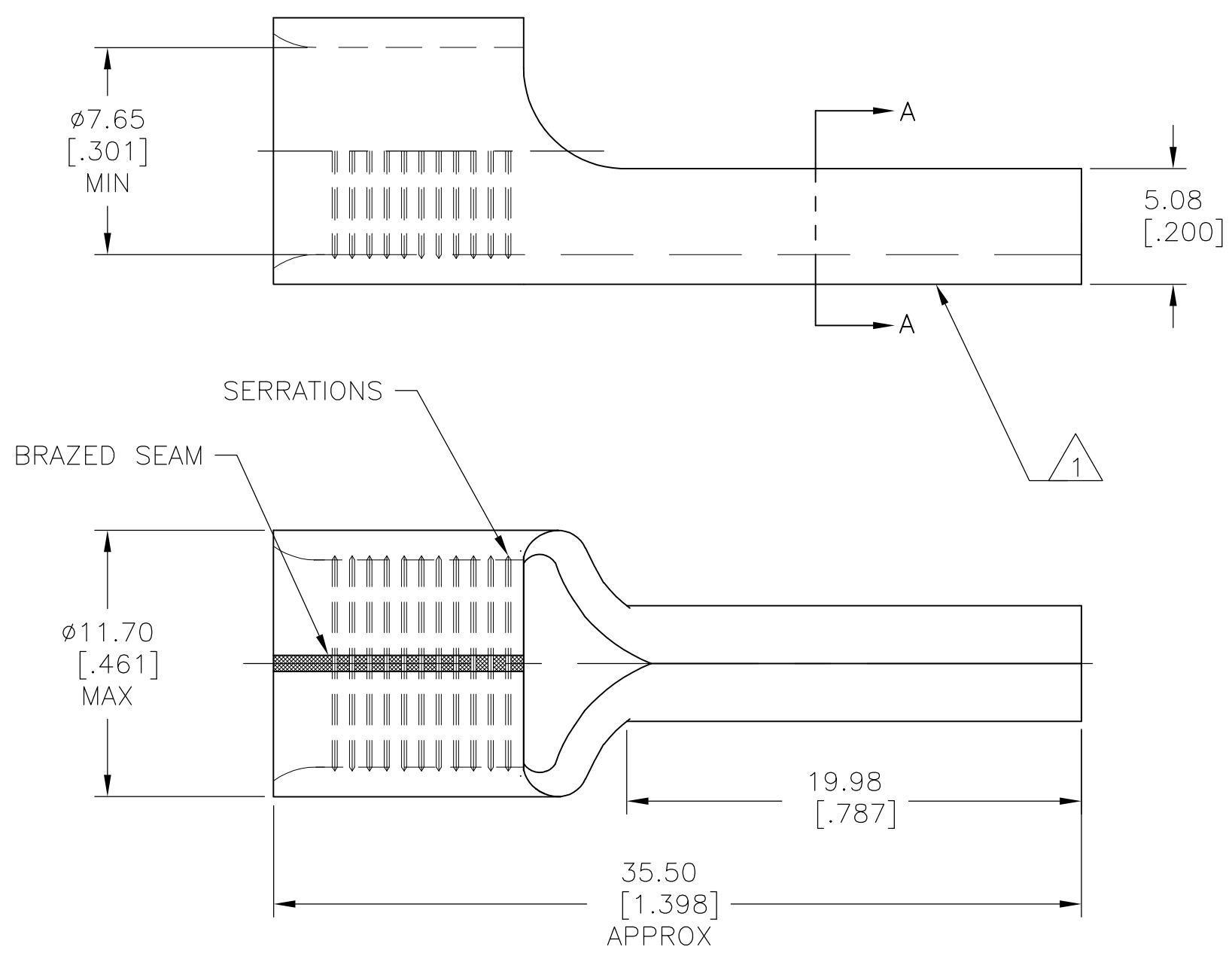


THIS DRAWING IS UNPUBLISHED. RELEASED FOR PUBLICATION
 © COPYRIGHT - By - ALL RIGHTS RESERVED.

LOC	DIST	REVISIONS			
P	LTR	DESCRIPTION	DATE	DWN	APVD
AL	2	A1	REDRAWN PER ECO-12-018155	30JAN13	KH DR

- △ 1 STAMP AMP 4 APPROX AS SHOWN
- △ 2 MATERIAL: COPPER PER ASTM B152
- △ 3 FINISH: TIN PLATE PER ASTM B545



736014
PART NO

AMP INCORPORATED CUSTOMER SERVICE SYSTEMS	
FOR ADDITIONAL PRODUCT INFORMATION OR COPIES OF DRAWINGS AND TECHNICAL DOCUMENTS	PRODUCT INFORMATION CENTER 1-800-522-6752
FOR APPLICATION TOOLING INFORMATION	TOOLING ASSISTANCE CENTER 1-800-722-1111
FOR ORDER ENTRY	1-800-526-5142

MAX RECOMMENDED OPERATING TEMPERATURE: 170°C [338°F] MAX
VOLTAGE RATING: N/A
WIRE: 16.8-26.7mm ² [33,100-52,600] CIR MILLS SOLID OR STRANDED

THIS DRAWING IS A CONTROLLED DOCUMENT.	
DIMENSIONS: mm [INCHES]	TOLERANCES UNLESS OTHERWISE SPECIFIED:
	0 PLC ± -
	1 PLC ± 0.13[.005]
	2 PLC ± -
	3 PLC ± -
	4 PLC ± -
	ANGLES ± -
MATERIAL	FINISH
△ 2	△ 3

DWN KIRAN HOLAL 30JAN13	TE Connectivity			
CHK ROHDE DANIEL 30JAN13				
APVD ROHDE DANIEL 30JAN13	NAME			
PRODUCT SPEC	WIRE PIN, SOLISTRAND, 4 AWG			
APPLICATION SPEC	SIZE	CAGE CODE	DRAWING NO	RESTRICTED TO
WEIGHT -	A3	00779	C-736014	-
CUSTOMER DRAWING		SCALE 4:1	SHEET 1 OF 1	REV A1