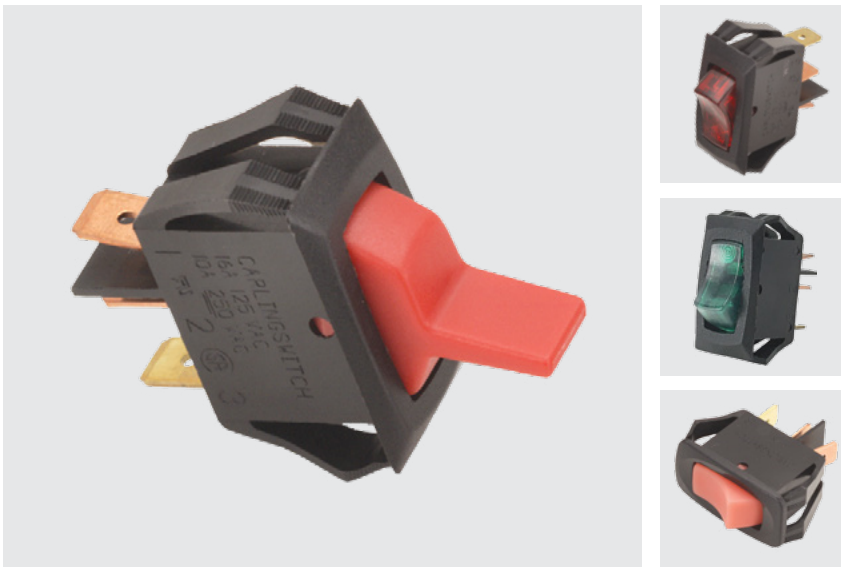


# CURVETTE

## LRA-Series

### SINGLE POLE LIGHTED ROCKER & PADDLE SWITCHES

Since its introduction, the Curvette switch has become the barometer for versatility and performance in the miniature switch market. This lighted version features the very same self cleaning contacts, international approvals, along with a wide variety of circuits, ratings, and actuator options that make the Curvette the switch of choice for various applications.



#### Product Highlights:

- ◆ Clear or translucent style rockers
- ◆ Neon or Incandescent illumination
- ◆ Self-cleaning wiping style contacts
- ◆ UL, CSA and VDE approved

#### Typical Applications:

- ◆ HVAC
- ◆ Office Lighting
- ◆ Transportation
- ◆ Commercial Food
- ◆ Lawn & Garden
- ◆ Power Strip



### Dielectric Strength

UL/CSA:  
1000V-live to dead metal parts  
VDE:  
4000V - live to dead metal parts;  
750V - across open contacts

### Mechanical Life

100,000 cycles

### Operating Temperature

32°F to 185°F (0°C to 85°C)

### Electrical Life

100,000 cycles

**LRA911** - **R** **S** - **B** / **250N**

1 Base Part Number      2 Actuator Style      3 Actuator Color      4 Bezel Color/Style      5 Lamp Voltage

#### 1 BASE PART NUMBER: SERIES / CIRCUITRY / RATING 2 / TERMINATION

125 neon lamp (use 125N in Selection 5 Lamp Voltage)  
**10A 250VAC; 16A 125VAC; 10(4)A 125VACu**  
 Solder Lugs      .250 Tabs      Wire Leads  
 OFF-NONE-ON      **LRA210**      **LRA211**      **LRA215**

250 neon lamp (select 250N in selection 5 Lamp Voltage)  
**15A 250 VAC; 10A 250VAC; 16A 125VAC; 10(4)A 250 T85**  
 Solder Lugs      .250 Tabs  
 OFF-NONE-ON      **LRA910**      **LRA911**      **LRA915**

Incandescent lamp (select 006V-024V in selection 5 Lamp Voltage)  
**10A 30V**  
 Solder Lugs      .250 Tabs      Wire Leads  
 OFF-NONE-ON      **LRA510**      **LRA511**      **LRA515**

#### 2 ACTUATOR STYLE

**P** Paddle  
**R** Rocker translucent  
**C** Rocker Clear

#### 3 ACTUATOR COLOR

**translucent**  
**A** Amber  
**C** White  
**P** Yellow  
**S** Red  
**W** Pale Red

**clear**  
**A** Amber  
**C** Clear  
**G** 1 Green  
**B** 1 Blue  
**R** Red

#### 4 BEZEL COLOR/STYLE

**STANDARD**  
**B** Black (matte)  
**W** White (matte)

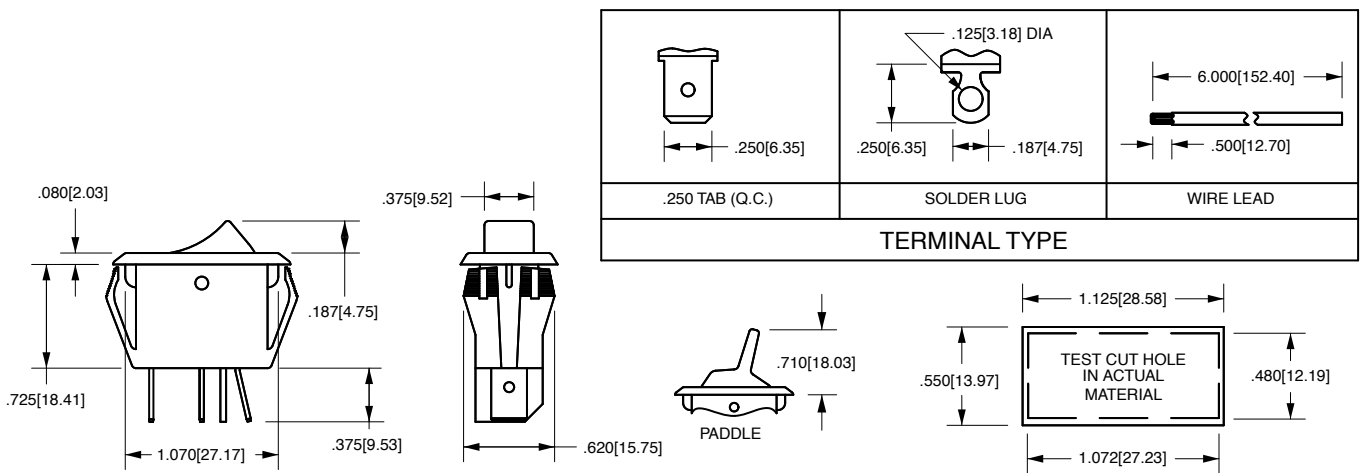
**OVAL**  
**1** Black (gloss)  
**2** White (gloss)



#### 5 LAMP VOLTAGE

**006V** 6 volts incandescent  
**012V** 12 volts incandescent  
**018V** 18 volts incandescent  
**024V** 24 volts incandescent  
**125N** 1 125 volts neon  
**250N** 1 250 volts neon

Notes:  
 LED illumination, PC terminals, independent lamps, and additional color options are available. Consult factory.  
 1 Neon lamps not available with blue or green actuators.  
 2 Consult factory for additional ratings.



\*Manufacturer reserves the right to change product specification without prior notice.

## Authorized Sales Representatives and Distributors

Click on a region of the map below to find your local representatives and distributors or visit [www.carlingtech.com/findarep](http://www.carlingtech.com/findarep).



## About Carling

Founded in 1920, Carling Technologies is a leading manufacturer of electrical and electronic switches and assemblies, circuit breakers, electronic controls, power distribution units, and multiplexed power distribution systems. With four ISO registered manufacturing facilities and technical sales offices worldwide, Carling Technologies Sales, Service and Engineering teams do much more than manufacture electrical components, they engineer powerful solutions! To learn more about Carling please visit [www.carlingtech.com/company-profile](http://www.carlingtech.com/company-profile).

To view all of Carling's environmental, quality, health & safety certifications please visit [www.carlingtech.com/environmental-certifications](http://www.carlingtech.com/environmental-certifications)

## **Worldwide Headquarters**

Carling Technologies, Inc.  
60 Johnson Avenue, Plainville, CT 06062  
**Phone:** 860.793.9281 **Fax:** 860.793.9231  
**Email:** sales@carlingtech.com

**Northern Region Sales Office:** nrsm@carlingtech.com  
**Southeast Region Sales Office:** sersm@carlingtech.com  
**Midwest Region Sales Office:** mrrsm@carlingtech.com  
**West Region Sales Office:** wrsm@carlingtech.com  
**Latin America Sales Office:** larsm@carlingtech.com

## **Asia-Pacific Headquarters**

Carling Technologies, Asia-Pacific Ltd.,  
Suite 1607, 16/F Tower 2, The Gateway,  
Harbour City, 25 Canton Road,  
Tsimshatsui, Kowloon, Hong Kong  
**Phone:** Int + 852-2737-2277 **Fax:** Int + 852-2736-9332  
**Email:** sales@carlingtech.com.hk

**Shenzhen, China:** shenzhen@carlingtech.com  
**Shanghai, China:** shanghai@carlingtech.com  
**Pune, India:** india@carlingtech.com  
**Kaohsiung, Taiwan:** taiwan@carlingtech.com  
**Yokohama, Japan:** japan@carlingtech.com

## **Europe | Middle East | Africa Headquarters**

Carling Technologies LTD  
4 Airport Business Park, Exeter Airport,  
Clyst Honiton, Exeter, Devon, EX5 2UL, UK  
**Phone:** Int + 44 1392.364422 **Fax:** Int + 44 1392.364477  
**Email:** ltd.sales@carlingtech.com

**Germany:** gmbh@carlingtech.com  
**France:** sas@carlingtech.com



**Carling Technologies®**

Innovative Designs. Powerful Solutions.