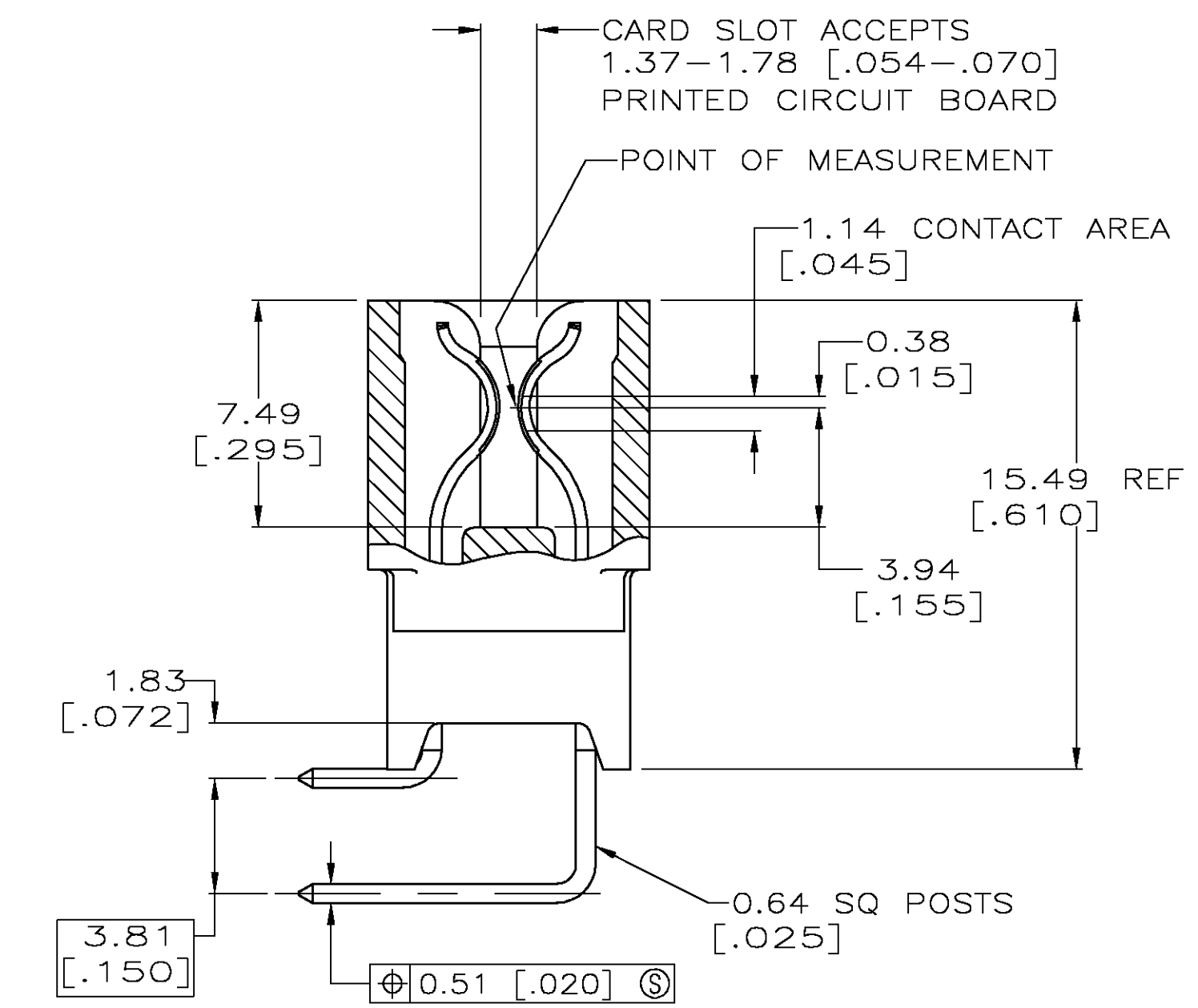
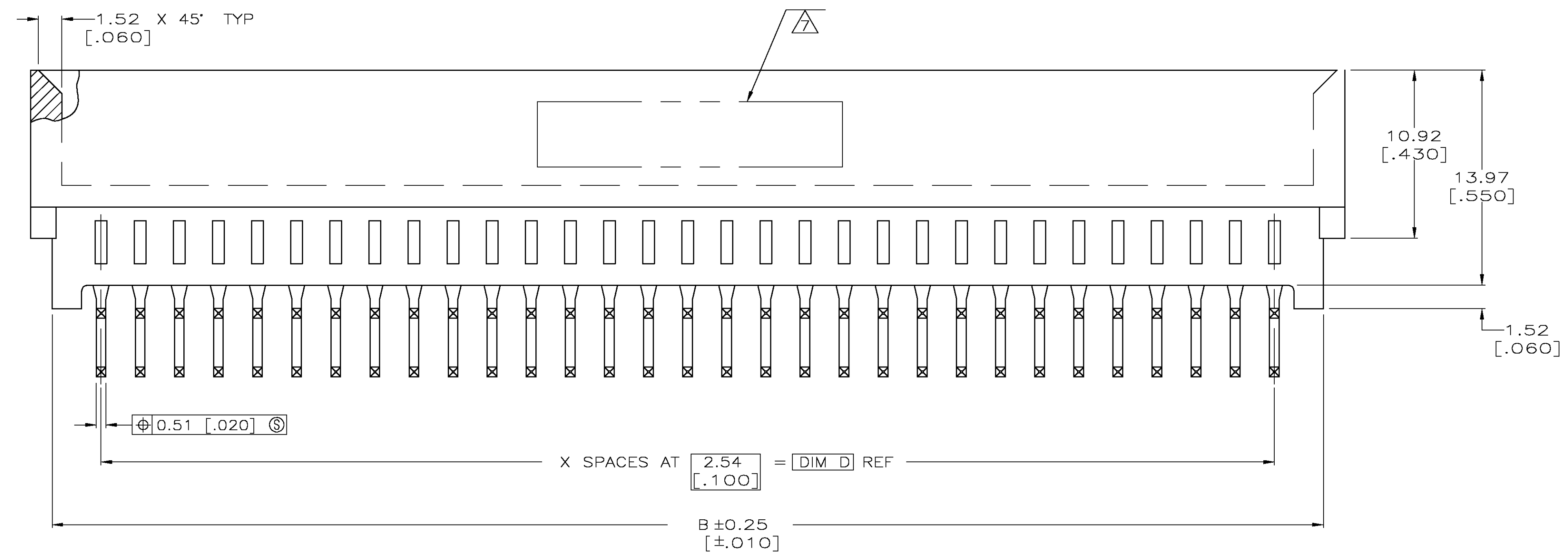


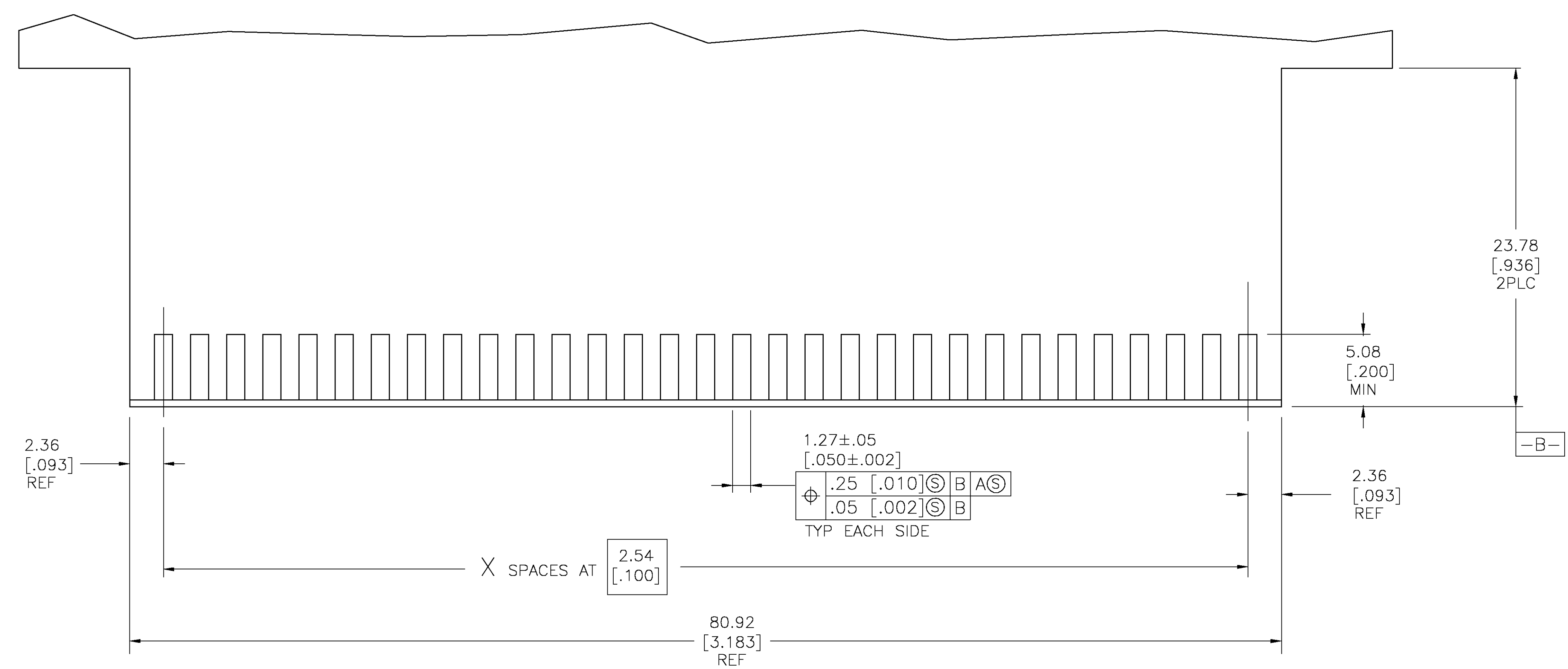
- ① HOUSING: GLASS FILLED POLYESTER; COLOR: BLACK.
- ② CONTACT: PHOSPHOR BRONZE.
- ③ NICKEL UNDERPLATE: 0.00127 [.000050] MIN - ALL OVER.
- ④ MATTE TIN PLATE: 0.00254 [.000100] MIN - SOLDER POSTS.
- ⑤ GOLD PLATE: 0.00038 [.000015] MIN - CONTACT AREA.
- ⑥ NICKEL PLATE PER MIL-C-45204.
GOLD PLATE PER QQ-N-290.
- ⑦ AMP PART NUMBER AND DATE CODE ARE MARKED IN APPROXIMATE AREA SHOWN, EITHER SIDE.
- ⑧ DATUMS AND BASIC DIMENSIONS ESTABLISHED BY CUSTOMER.
PIN 1 LOCATION AND DESIGNATION ESTABLISHED BY CUSTOMER.



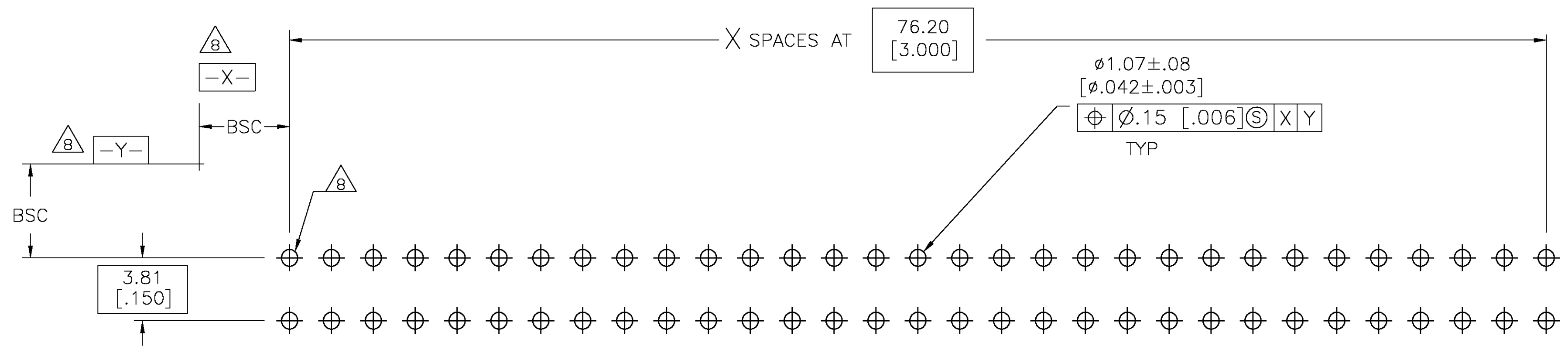
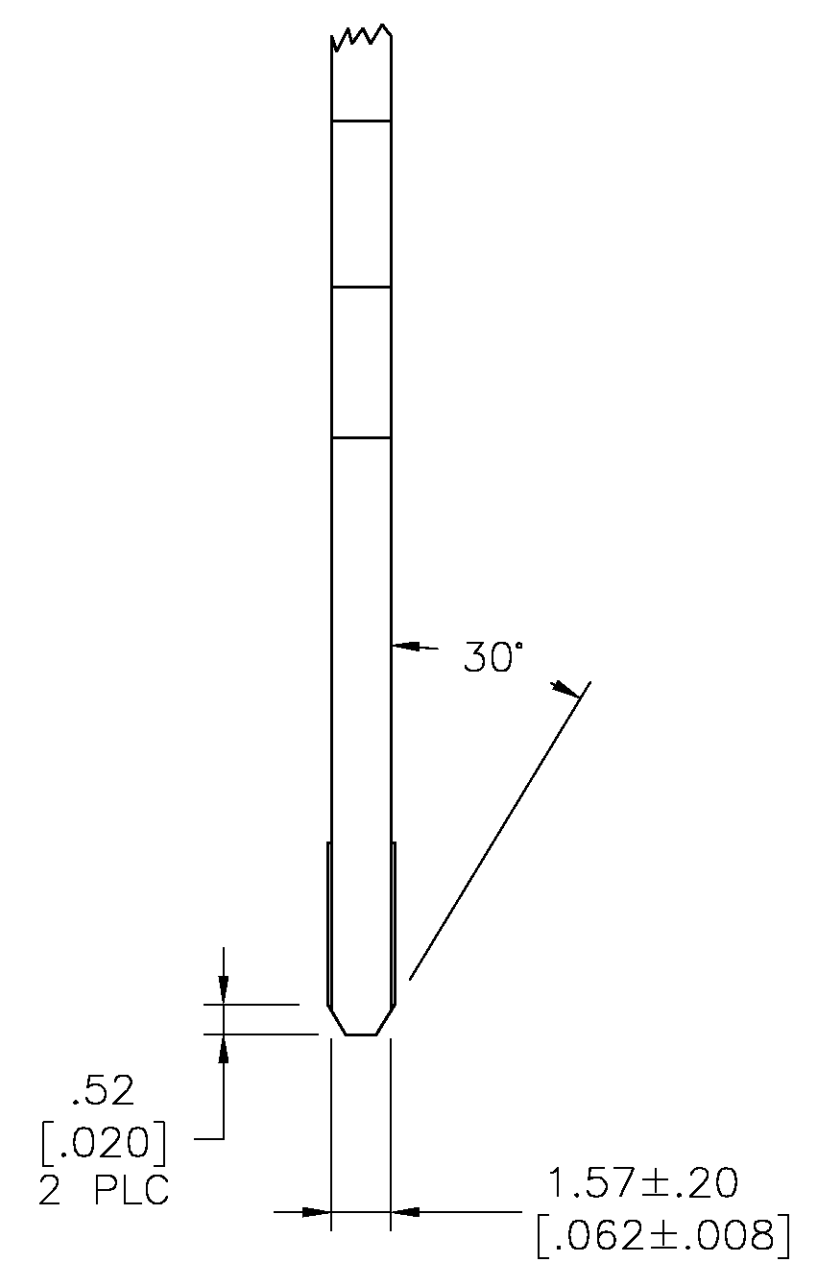
45.72 [1.800]	50.80 [2.000]	52.07 [2.050]	54.864 [2.160]	18	19	5532600-6
78.74 [3.100]	83.82 [3.300]	85.09 [3.350]	87.88 [3.460]	31	32	5532600-5
76.20 [3.000]	81.28 [3.200]	82.55 [3.250]	85.34 [3.360]	30	31	5532600-4
60.96 [2.400]	66.04 [2.600]	67.31 [2.650]	70.10 [2.760]	24	25	5532600-2
D	C	B	A	X	NO OF POSN	PART NUMBER

THIS DRAWING IS A CONTROLLED DOCUMENT.

DIMENSIONS: mm 	TOLERANCES UNLESS OTHERWISE SPECIFIED: 0 PLC ± - 1 PLC ± - 2 PLC ± ± 0.13[.005] 3 PLC ± ± - 4 PLC ± ± - ANGLES ± ± Z	DWN AL FRANTUM 18 OCT 04 CHK AL FRANTUM 18 OCT 04 APVD PRODUCT SPEC 108-9039 APPLICATION SPEC SIZE A1 CAGE CODE 00779 DRAWING NO 5532600 WEIGHT CUSTOMER DRAWING	Tyco Electronics Corporation Harrisburg, Pa 17105-3608 NAME CONNECTOR ASSEMBLY, STD EDGE II, 2.54 [.100] x 3.81 [.150], RIGHT ANGLE RESTRICTED TO SCALE 5:1 SHEET 1 OF 2 REV B
-----------------------	--	---	--



RECOMMENDED MATING BOARD EDGE CONFIGURATION
 -4 CONFIGURATION SHOWN



RECOMMENDED PC BOARD HOLE LAYOUT
 -4 CONFIGURATION SHOWN

THIS DRAWING IS A CONTROLLED DOCUMENT.		DIN	AL FRANTUM	18 OCT 04	tyco Electronics	Tyco Electronics Corporation Harrisburg, Pa 17105-3608	
DIMENSIONS: mm		CIR	AL FRANTUM	18 OCT 04		NAME	CONNECTOR ASSEMBLY, STD EDGE II, 2.54 [.100] x 3.81 [.150], RIGHT ANGLE
TOLERANCES UNLESS OTHERWISE SPECIFIED:		APVD		PRODUCT SPEC		RESTRICTED TO	
0 PLC ± -		APVD		108-9039		SIZE	
1 PLC ± -		APVD		APPLICATION SPEC		CAGE CODE	
2 PLC ± 0.13 [.005]		APVD		APPLICATION SPEC		DRAWING NO	
3 PLC ± -		APVD		APPLICATION SPEC		5532600	
4 PLC ± -		APVD		APPLICATION SPEC		SCALE	
ANGLES ± - Z		APVD		APPLICATION SPEC		5:1	
MATERIAL	SEE SHEET 1	FINISH	SEE SHEET 1	WEIGHT	A1	SHEET	2 OF 2
CUSTOMER DRAWING				REV	B		