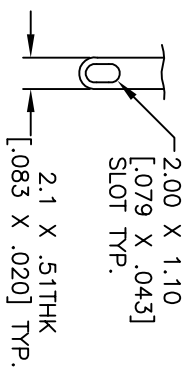
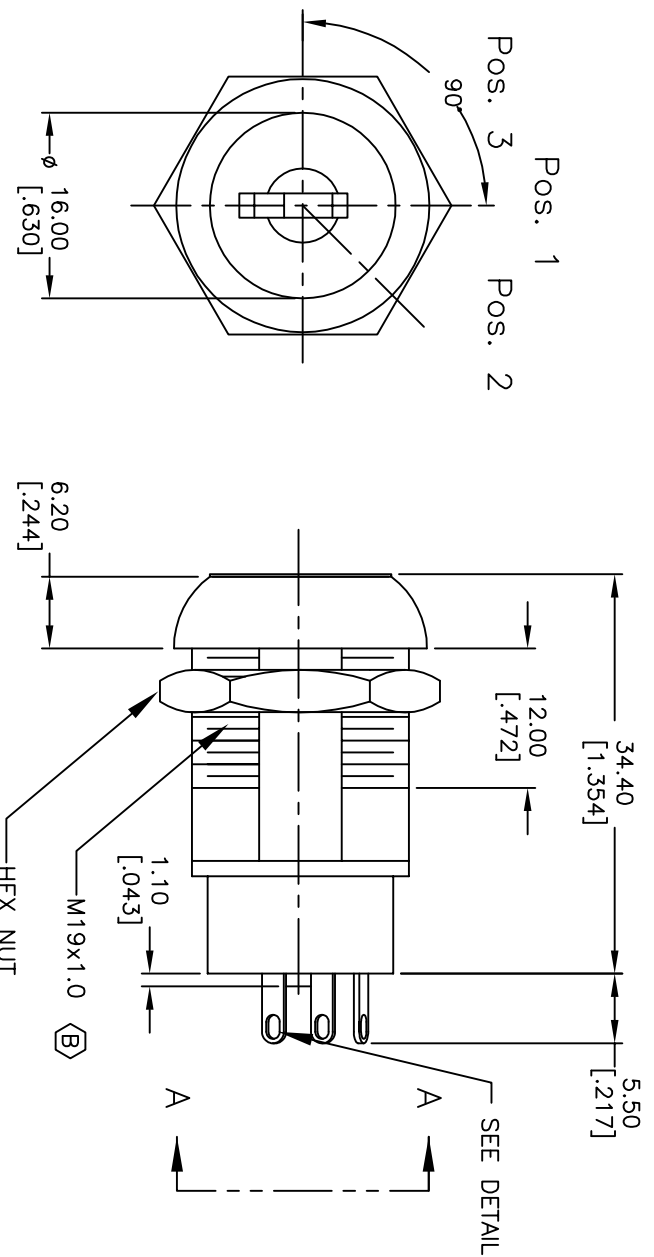


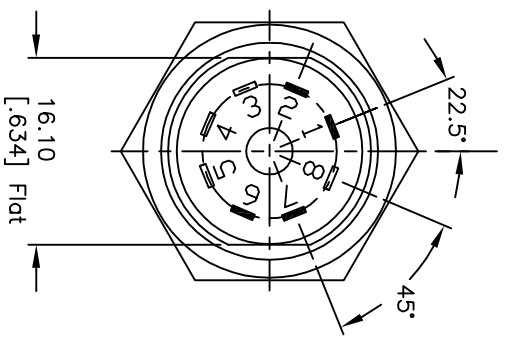
RECOMMENDED PANEL LAYOUT



TERMINAL DETAIL
SCALE 2X



Pos. 1 Ref.

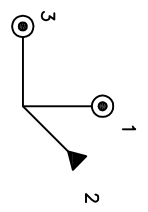


- NOTES:
1. ALL DIMENSIONS IN MM [INCH]
 2. GENERAL TOLERANCE: X.X=±0.4
X.XX=±0.25
 3. TERM. NOS. FOR REF. ONLY
 4. CONTACT RATING: 4A @125VAC/28VDC, 2A @250VAC
 5. DIELECTRIC STRENGTH: 1KV RMS min. at sea level
 6. ELECTRICAL LIFE: 10,000 make-and-break cycles at full load.
 7. MATERIALS:
CONTACTS: Silver Plated CU (Q Contact material)
TERMINALS: Silver Plated Cu (Q Contact material)
MOUNTING NUT: Nickel Plated zinc alloy
CONTACT SPRING: Piano Wire
KEYS: (QTY. 2) Brass with code no. 606
LOCK: Bright Ni plated zinc alloy with NI facing
TUMBLER Mechanism: 4-disc tumbler cylinder.

- LEGEND
- =Detent Positions (45°)
 - ⊙ =Key pull possible in these positions
 - ▲ =MOMENTARY POS.

CIRCUIT: SP (45°/90 INDEXING)
CONTACT CONFIGURATION

SWITCH FUNCTION	CONNECTED TERMINAL #
POS. 1	POS. 2
7-1	1-2
	7-6



REV.	ECN No.	DESCRIPTION	DATE	CHKD
B	19509	CHANGED THREAD DESCRIPTION	12/09/10	BGL
A	11566	RELEASE FOR PRODUCTION	10/4/01	CJB

TITLE		SCALE	DATE	DR	DWG	REV
K0129B-606		1:1.5	10/4/01	CB	K200255	B



THE INFORMATION CONTAINED IN THIS DOCUMENT IS PROPRIETARY TO E-SWITCH AND IS NOT TO BE COPIED OR TRANSMITTED