

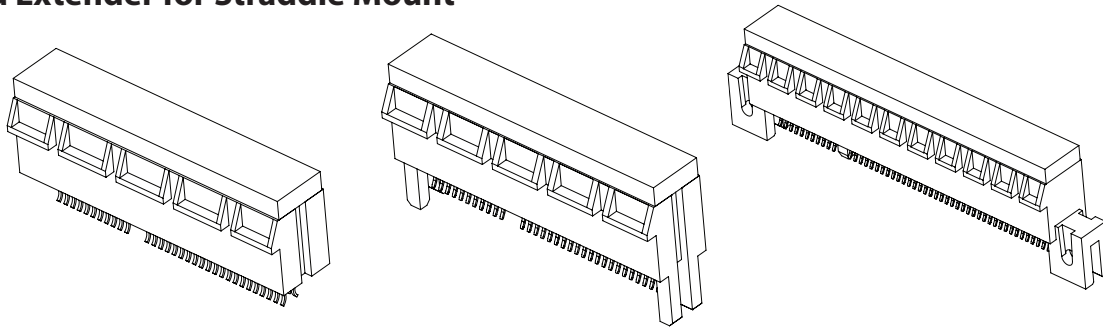


# High Density Card Edge

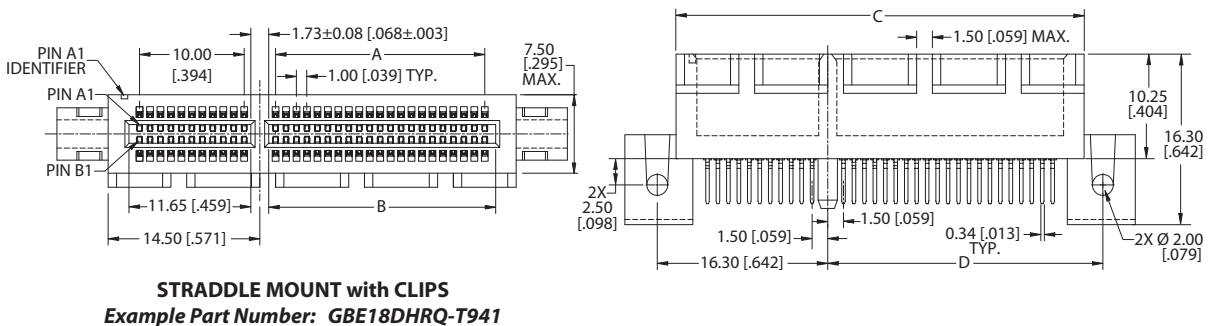
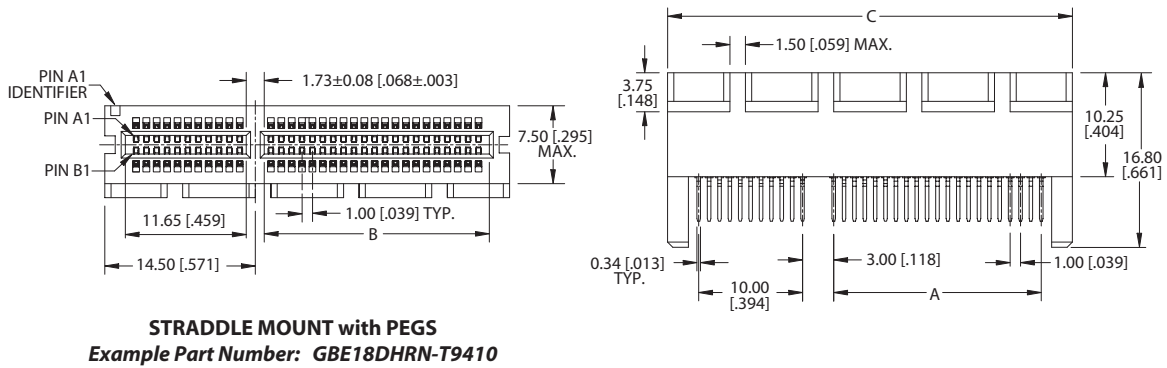
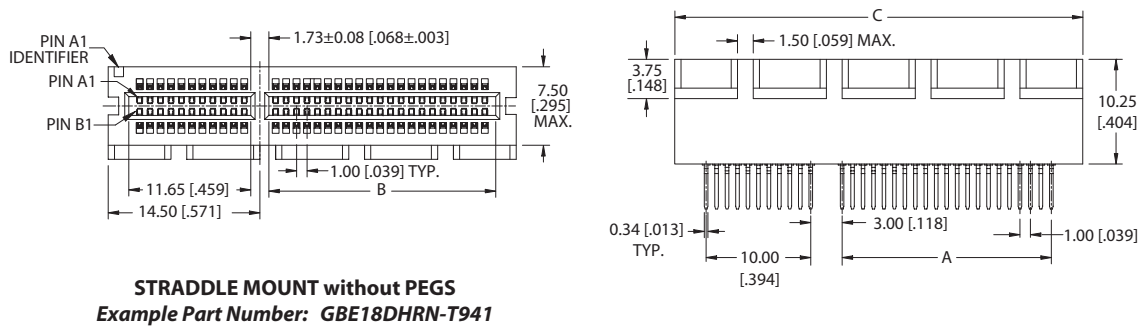
1.00 mm [.039"] Contact Centers, PCI Express,  
Card Extender for Straddle Mount

# SULLINS

Sullins High Density



**DIMENSIONS** Dimensions in [ ] are in inches, all others are in millimeters.



POSITIONS/ CONTACTS	MILLIMETERS				INCHES			
	A	B	C	D	A	B	C	D
18/36	6.00	7.65	25.00	12.30	0.236	0.301	0.984	0.484
32/64	20.00	21.65	39.00	26.30	0.787	0.852	1.535	1.035
49/98	37.00	38.65	56.00	43.30	1.457	1.522	2.205	1.705
82/164	70.00	71.65	89.00	76.30	2.756	2.821	3.504	3.004



#### PART NUMBER OPTIONS

**G B E 18 D HR N -T9 4 1 0**

**MATERIALS (INSULATOR/CONTACT)**  
G = Nylon/Phosphor Bronze

**CONTACT FINISH - RoHS Compliant**  
All platings are Lead Free and have .000050" Nickel underplate

Contact Surface	Termination
B = .000010" Gold	.000100" Pure Tin, Matte
C = .000030" Gold	.000100" Pure Tin, Matte
W = Gold Flash	.000100" Pure Tin, Matte

**CONTACT CENTERS**  
E = 1 mm [.039"]

**NUMBER OF CONTACT POSITIONS**  
18, 32, 49, 82

**READOUT**  
D = Dual

**MODIFICATION CODE**  
Omit '0' For Without Pegs ('N' or 'Q' Mounting)  
0 = Pegs (Available in 'N' Mounting Only)

**COLOR**  
1 = Black

**TAIL LENGTH**  
4 = 4.10 mm [.161"]

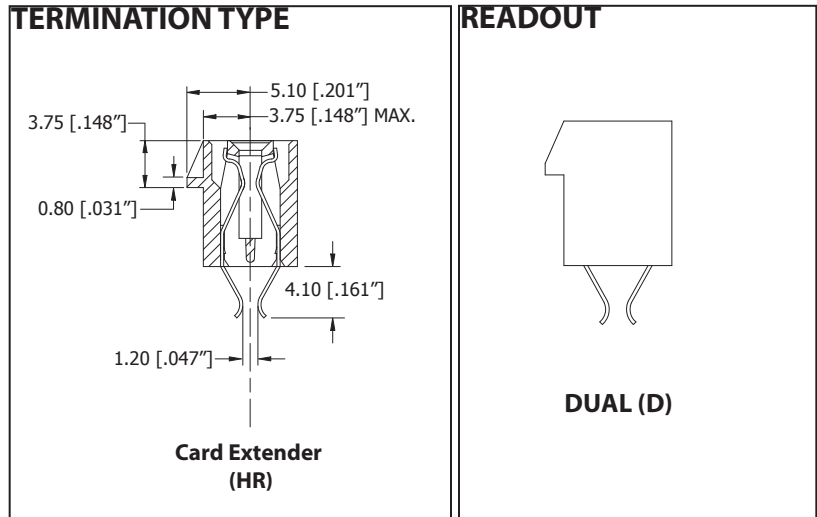
**MOUNTING STYLE**  
N = No Mounting  
Q = Straddle Mount with Clips ('Q' Only Available with T941 Modification)

**TERMINATION TYPE**  
HR = Card Extender for Straddle Mount

**Operating & Processing Temperature: Consult Factory**

#### SPECIFICATIONS

- All PCI Express parts meet the latest PCI Express specifications
- Supports 2.5 GT/s, 5.0 GT/s or 8.0 GT/s Data Transfer Rate (per pair data bandwidth)
- Accommodates 1.57 mm [.062"] PC board
- 1.1 Amp current rating per contact
- UL Flammability Rating: 94V-0



#### MOUNTING STYLE

