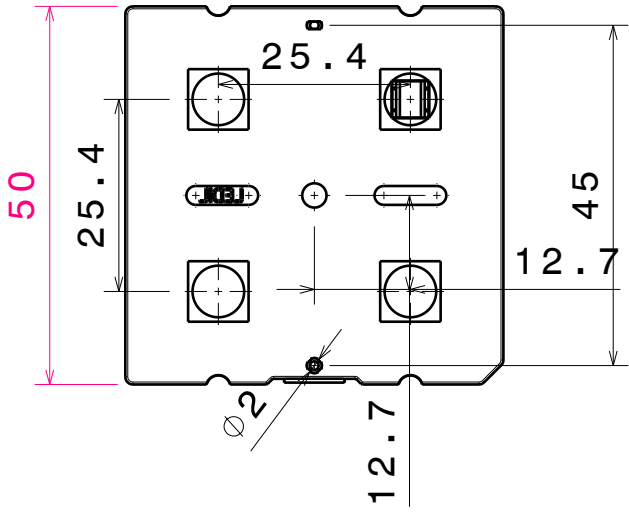
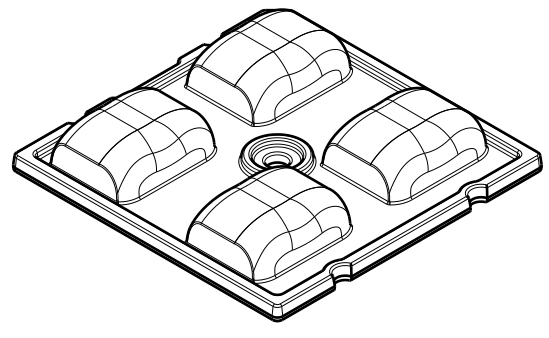


D C B A

4

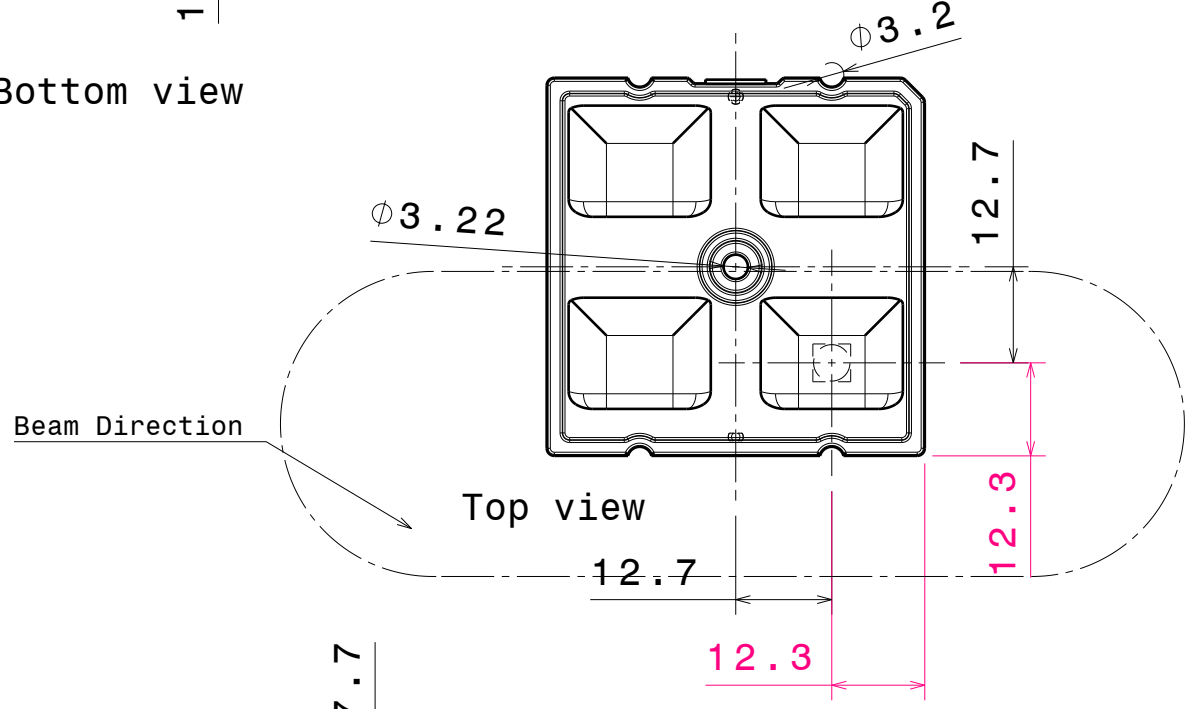


Bottom view



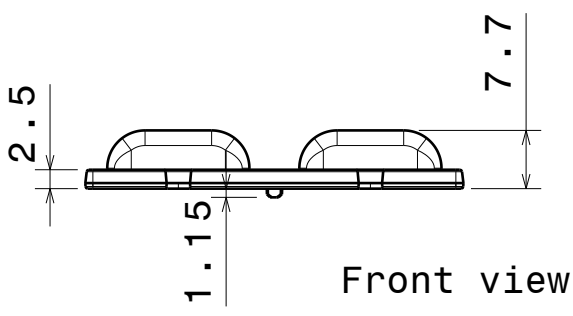
Isometric view

3



Top view

2



Front view

4

3

2

INDEX	PART NO	DESCRIPTION	MATERIAL	COLOUR
1	C13300	STRADA-2X2-T2	PMMA	

Tolerances if not otherwise shown
According to DIN ISO 2768-1
Linear measures:
Up to 30mm class M, otherwise class C.
According to DIN ISO 2768-2
Form and position: class L

LEDiL LediL Oy
Salorankatu 10
FIN 24240 SALO
Finland

THIRD ANGLE PROJECTION:

DRAWING TITLE
STRADA-2X2-T2

This drawing is the property of LEDiL Oy. It may not be reproduced, copied or communicated without a written agreement with LEDiL Oy."

SIZE
A4

C13300

SCALE 1:1 WEIGHT SHEET 1/1

1

1

D A