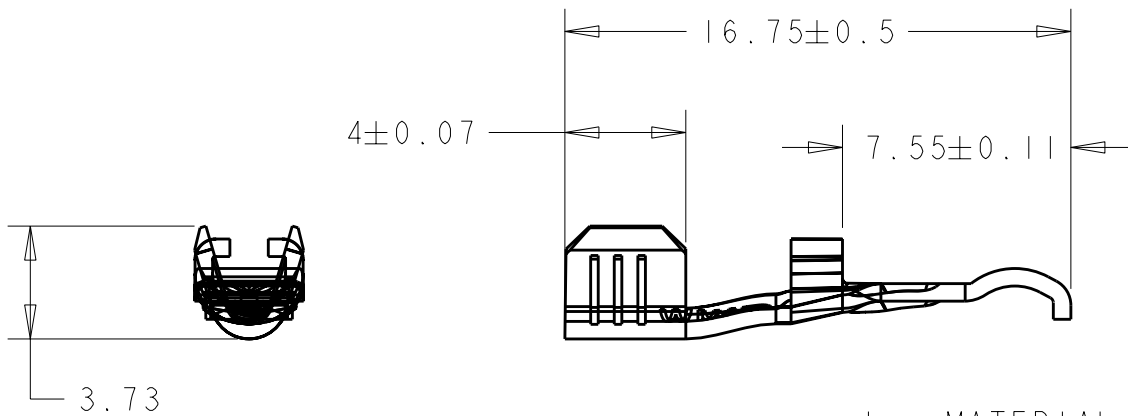
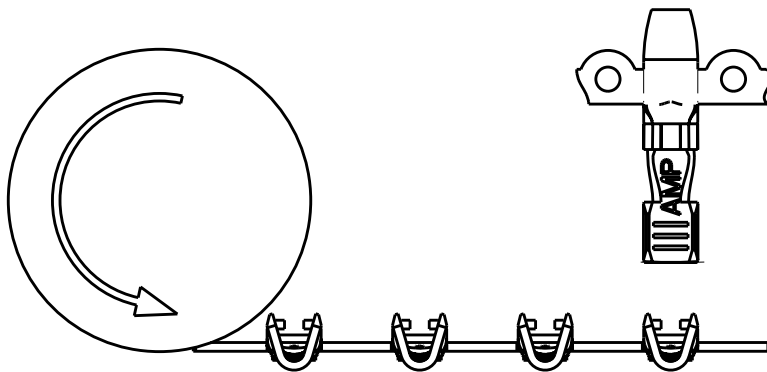


LOC		DIST		REVISIONS			
P	LTR	DESCRIPTION	DATE	DWN	APVD		
CM	0						
	2	ADDED -2, REVISED NOTE 1	06FEB03	BH	RW		
	3	REVISED, ADDED DIMS AND TESTING NOTE					
	A	ECO-08-008100	02APR2008	KW	SR		

THIS PRODUCT HAS PASSED VERIFICATION AND AGENCY APPROVALS TESTING AND IS COMPONENT RECOGNIZED PER UL 1977 AND CSA 22.2. TYCO ELECTRONICS PRODUCT QUALIFICATION TESTING IS NOT YET COMPLETE.



1. MATERIAL; COPPER
2. 3000 PCS/REEL



METRIC

TIN	1604113-2
SILVER	1604113-1
FINISH	PART NUMBER

DIMENSIONS: mm	DWN B. HAYMAKER	11 APR 2002	MATERIAL	-	FINISH	-
	CHK K. KETELSLEGER	11 APR 2002	Tyco Electronics Harrisburg, PA 17105-3608			
TOLERANCES UNLESS OTHERWISE SPECIFIED:	APVD K. KETELSLEGER	11 APR 2002				
0 PLC ±0.13	PRODUCT SPEC	-	NAME CONTACT, 15 AMP POWER PRODUCT (16-20 AWG)			
1 PLC ±0.13	APPLICATION SPEC	-				
2 PLC ±0.13	WEIGHT	-	SIZE	A 4	CAGE CODE	00779
3 PLC ±0.13			DRAWING NO	C-1604113		RESTRICTED TO
4 PLC ±-						
ANGLES ±30'						
	CUSTOMER DRAWING		SCALE	4:1	SHEET	1 OF 1
						REV A