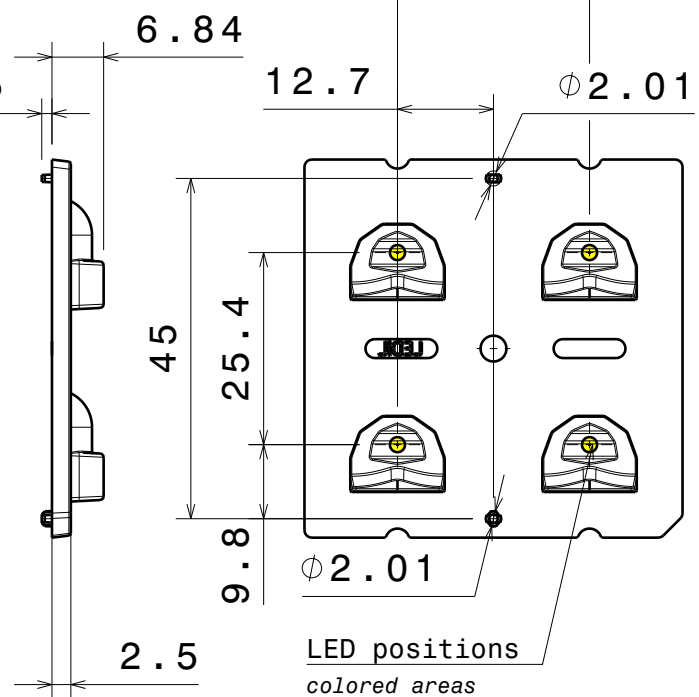
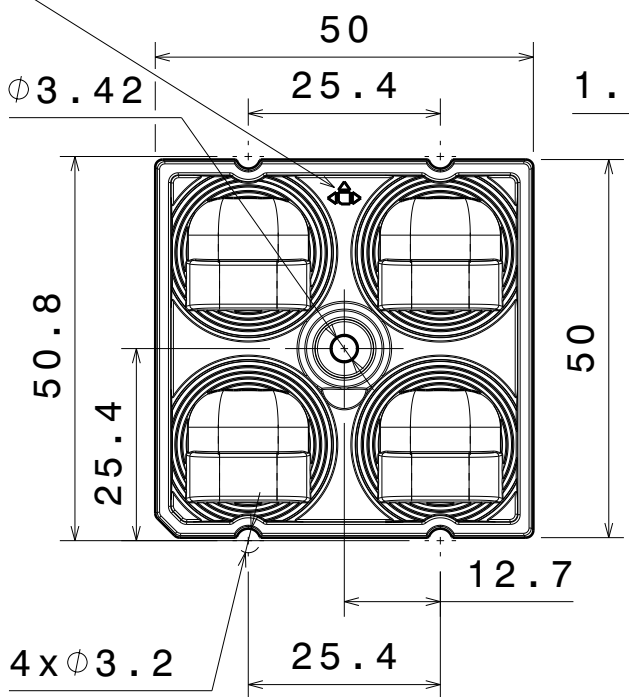


D C B A

4

Beam direction indication



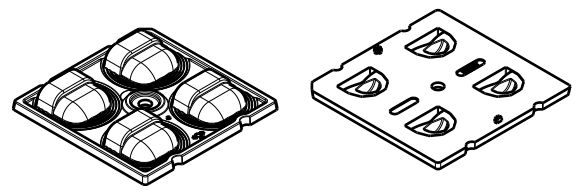
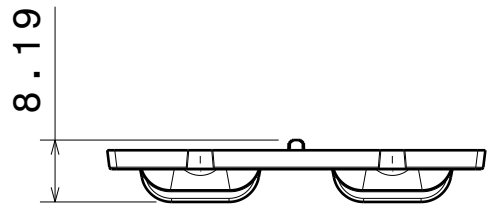
4

3

3

2

2



Isometric views
Scale: 1:2

INDEX	PART NO	DESCRIPTION	MATERIAL	COLOUR
1	C16254	STRADA-2X2CSP-T4-B_Mechanicalmodel	PMMA 8N	clear

Tolerances if not otherwise shown
According to DIN ISO 2768-1
Linear measures:
Up to 30mm class M, otherwise class C.
According to DIN ISO 2768-2
Form and position: class L

LEDiL Oy
Salorankatu 10
FIN 24240 SALO
Finland

FIRST ANGLE PROJECTION:

DRAWING TITLE
C16254_STRADA-2X2CSP-T4-B_Mechanicalmodel

This drawing is the property of LEDiL Oy. It may not be reproduced, copied or communicated without a written agreement with LEDiL Oy.

SIZE	PART NUMBER
A4	C16254

SCALE	WEIGHT	SHEET
1:1	7,02 g	1/1

1

1

D A