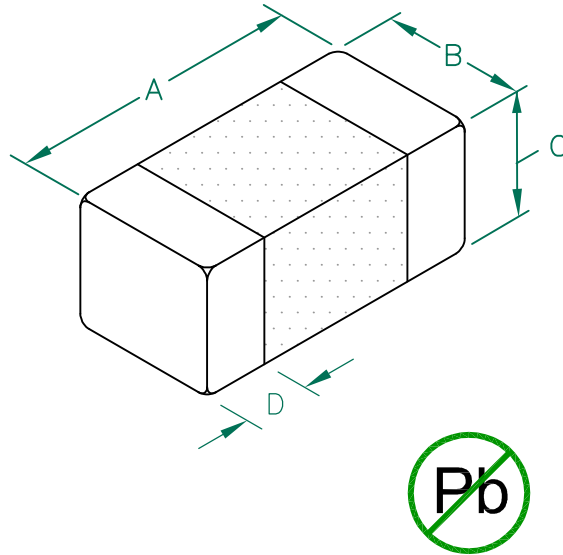


MI0603J600R-10

UNCONTROLLED DOCUMENT

PHYSICAL DIMENSIONS:

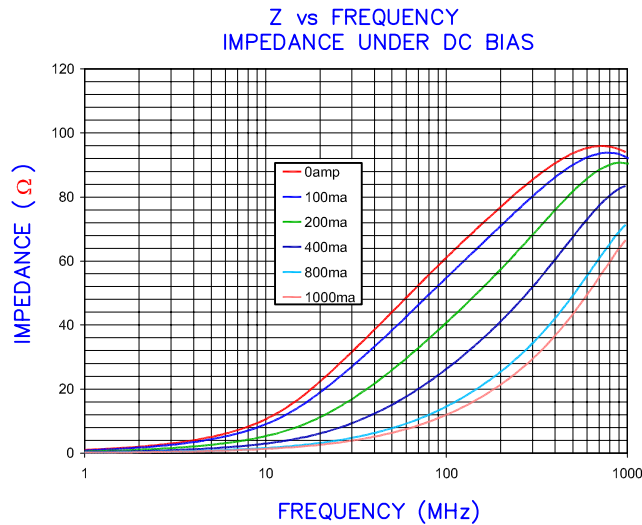
A	1.60 [.063]	+ 0.15	-.006	[.006]
B	0.80 [.031]	+ 0.15	-.006	[.006]
C	0.80 [.031]	+ 0.15	-.006	[.006]
D	0.36 [.014]	+ 0.15	-.006	[.006]



ELECTRICAL CHARACTERISTICS:

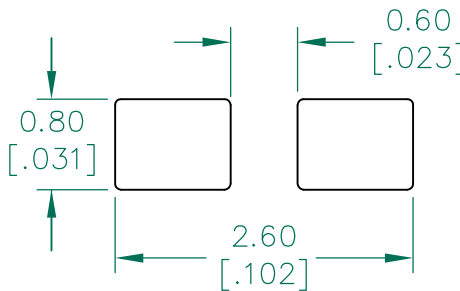
	Z @ 100MHz (Ω)	DCR (Ω)	Rated Current
Nominal	60		
Minimum	45		
Maximum	75	0.100	1000 mA

- NOTES: UNLESS OTHERWISE SPECIFIED
1. TAPED AND REELED per CURRENT EIA SPECIFICATIONS 7" REELS, 4000 PCS/REEL. PAPER TAPE.
 2. TERMINATION FINISH IS 100% TIN.
 3. COMPONENTS SHOULD BE ADEQUATELY PREHEATED BEFORE SOLDERING.
 4. OPERATING TEMP. RANGE: -40°C~+125°C. (INCLUDING SELF-HEATING)

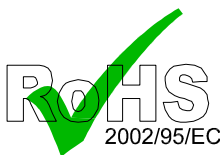
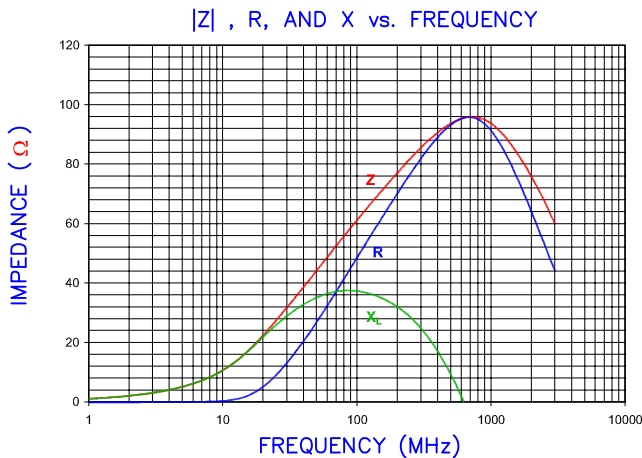
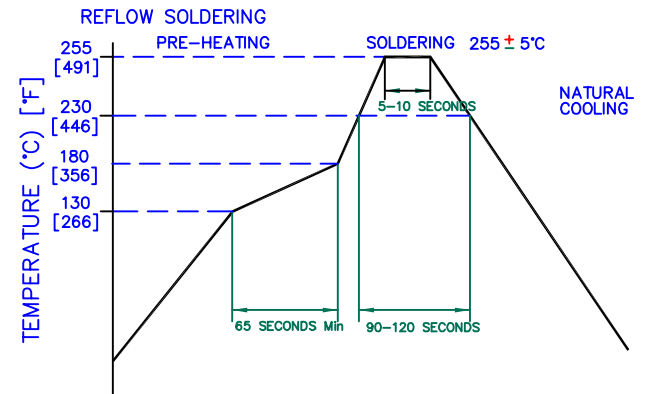


LAND PATTERNS FOR REFLOW SOLDERING

RECOMMENDED SOLDERING CONDITIONS



(For wave soldering, add 0.762 [.030] to this dimension)



DIMENSIONS ARE IN mm [INCHES].				This print is the property of Laird Tech. and is loaned in confidence subject to return upon request and with the understanding that no copies shall be made without the written consent of Laird Tech. All rights to design or invention are reserved.		Laird	
E	ADD OPERATING TEMPERATURE UPDATE LAIRD LOGO AND REFLOW CURVE	08/05/13	QU	PROJECT/PART NUMBER:	MI0603J600R-10	REV	E
D	UPDATE COMPANY LOGO	07/24/08	JRK	PART TYPE:	CO-FIRE	DRAWN BY:	TMB
C	CORRECT REEL SIZE AND QTY	04/11/06	JRK	DATE:	04/05/04	SCALE:	-
B	CORRECT REF # FROM 3289 TO 3298	07/22/05	JRK	CAD #	MI0603J600R-10-E	SHEET:	1 of 1
A	ORIGINAL DRAFT	04/05/04	TMB	TOOL #	-		
REV	DESCRIPTION	DATE	INT				