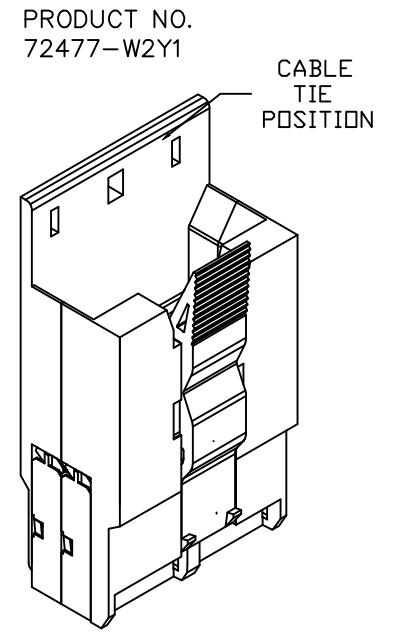
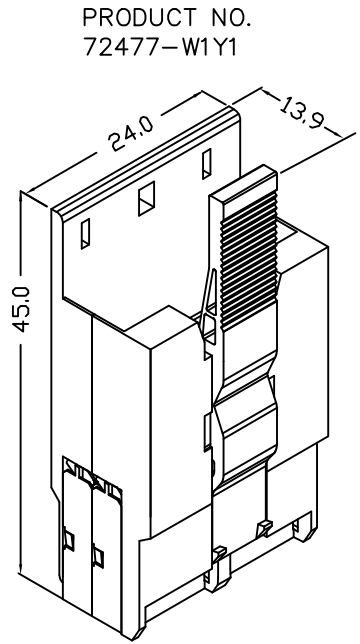
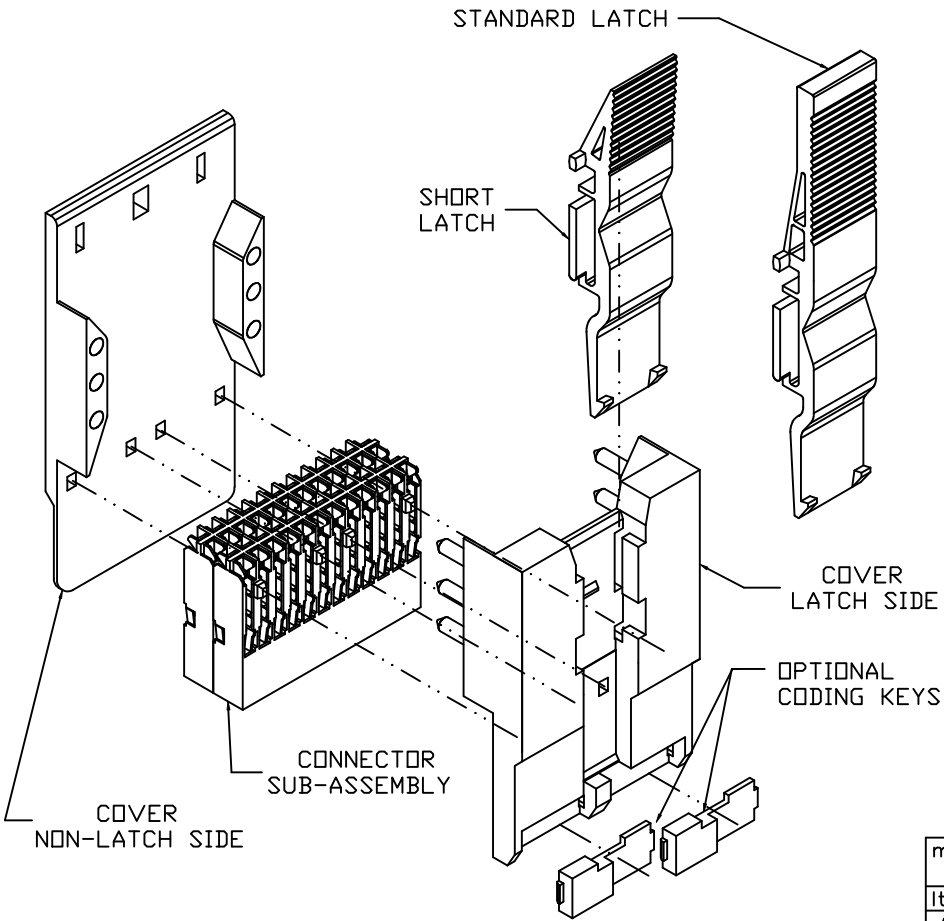


PRODUCT NO.
72477-WXY1
72477-WXY1LF



STANDARD LATCH FINGER FOR CABLE TIE BELOW LATCH FINGER AND EASIEST ACCESS TO LATCH FINGER

SHORT LATCH FINGER FOR CABLE TIE ABOVE LATCH FINGER AND LARGER CABLE SIZE CAPACITY

mat'l. code		surface		tolerance		projection		product family	
		✓				mm		METRAL CABLE	
ltr		ecn no		dr		date		title	
A		V71561		JRV		11/5/97		4X12 UNSHIELDED CABLE CONNECTOR KIT	
B		V12695		EPK		11/14/01			
C		V05-0599		VS		09/08/05		scale 1:1	
D		V06-0613		JRV		06/22/06		dwg no	
E		ELX-N-26305		TONY		03/06/17		sheet 1 of 3	
								size	
								A4	
								type	
								Product Customer Drawing	
sheet index		revision sheet		E		E			
		1 2		E		E			

PRODUCT NO.
72477-WXY1

NOTES:

1. SEE APPLICATION SPECIFICATION GS-20-002 FOR INSTRUCTIONS ON WIRE INSERTION AND ASSEMBLY OF COMPONENTS FOR CONNECTORS.
2. PLUGS INTO STANDARD METRAL 4-ROW HEADERS AND SHROUDS.
3. MAXIMUM CABLE DIAMETER
STANDARD LATCH = 6.0mm
SHORT LATCH = 9.0mm
* THE USE OF MULTIPLE CABLES OR THE STRIPPING OF THE CABLE JACKET WILL ALLOW THE USER TO OVERCOME SOME RESTRICTIONS.
4. THE PRODUCTS WHERE THE PART NUMBERS END IN LF MEET THE EUROPEAN UNION DIRECTIVES AND OTHER COUNTRY REGULATIONS AS DESCRIBED IN GS-22-008.
5. THESE PRODUCTS LISTED ON THIS DRAWING WILL NOT WITHSTAND WAVE SOLDER OR REFLOW OPERATIONS.
- ⑥ FOR LEADFREE PART NUMBERS, ADD AN 'LF' SUFFIX.
EXAMPLE: 72477-WXY1LF

ORDERING INFORMATION FOR KITS AND PARTS

- EACH KIT (CONNECTOR) CONSISTS OF:
- 2 CONNECTOR SUB-ASSEMBLIES
 - 1 COVER, NON-LATCH SIDE
 - 1 COVER, LATCH SIDE
 - 1 LATCH FINGER

ORDER KITS 72477-WXY1 WHERE

- PLATING ON CONTACT AREA.
- W=1 FOR 0.8 um GOLD
 - W=2 FOR 2.0 um GOLD
 - W=3 FOR 1.3 um GOLD
 - W=9 FOR 0.8 um GXT
- LATCH FINGER SIZE
- X=1 FOR STANDARD LATCH FINGER
 - X=2 FOR SHORT LATCH FINGER
- COPPER WIRE SIZE
- Y=1 FOR 26 TO 24 GAGE
 - Y=2 FOR 30 TO 28 GAGE

MATERIAL

- INSULATORS, COVERS AND KEYS
GLASS FILLED 612 POLYAMIDE (UL 94 V-0)
- LATCH FINGERS
POLYETHERIMIDE (UL 94 V-0)
- CONTACTS
PHOSPHOR BRONZE
SnPb FINISH ON IDC DIMPLES

OPTIONAL CODING KEYS

- PART NUMBER 72388-0AA1
- 18 VARIETIES AA = 01 TO 18
- USE IN CONJUNCTIONS WITH HEADER CODING KEYS 70274-001 KEYS 1 TO 18 RESPECTIVELY

COMPONENT PART NUMBERS AND INFORMATION

- CONNECTOR SUBASSEMBLY
PART NUMBER 72394-W2Y1
* 2 REQUIRED PER CONNECTOR
PLATING ON CONTACT AREA.
- W=1 FOR 0.8 um GOLD
 - W=2 FOR 2.0 um GOLD
 - W=3 FOR 1.3 um GOLD
 - W=9 FOR 0.8 um GXT

COPPER WIRE SIZE

- Y=1 FOR 26 TO 24 GAGE
- Y=2 FOR 30 TO 28 GAGE

COVER, LATCH SIDE
PART NUMBER 72513-002

COVER, NON-LATCH SIDE
PART NUMBER 72513-001

SHORT LATCH FINGER
PART NUMBER 72389-001

STANDARD LATCH FINGER
PART NUMBER 70289-001

mat'l. code		surface		tolerance		projection		product family	
ltr	ecn no	dr	date	tolerances unless otherwise specified				METRAL CABLE	
				angles	line	mm		title	
				0±5°		scale 1:1		4X12 UNSHIELDED CABLE CONNECTOR KIT	
				dr	J.VOLSTROF	11/5/97		dwg no	sheet 2 of 3
				engr	J.VOLSTROF	11/5/97		72477	A4
				chr	J.VOLSTROF	11/5/97		type Product Customer Drawing	
				appd	J.VOLSTROF	11/5/97			
sheet index	revision sheet	E	E	E					
		1	2	3					

PRODUCT NO.
72477-WXY1LF

SEE NOTE 6

ORDERING INFORMATION FOR KITS AND PARTS
EACH KIT (CONNECTOR) CONSISTS OF:
2 CONNECTOR SUB-ASSEMBLIES
1 COVER, NON-LATCH SIDE
1 COVER, LATCH SIDE
1 LATCH FINGER

ORDER KITS 72477-WXY1LF WHERE
PLATING ON CONTACT AREA.
W=1 FOR 0.8 um GOLD
W=2 FOR 2.0 um GOLD
W=3 FOR 1.3 um GOLD
W=9 FOR 0.8 um GXT
LATCH FINGER SIZE
X=1 FOR STANDARD LATCH FINGER
X=2 FOR SHORT LATCH FINGER
COPPER WIRE SIZE
Y=1 FOR 26 TO 24 GAGE
Y=2 FOR 30 TO 28 GAGE

MATERIAL
INSULATORS, COVERS AND KEYS
GLASS FILLED 612 POLYAMIDE (UL 94 V-0)
LATCH FINGERS
POLYETHERIMIDE (UL 94 V-0)
CONTACTS
PHOSPHOR BRONZE
SN SOLDER FINISH ON IDC DIMPLES (LEAD FREE)

OPTIONAL CODING KEYS
PART NUMBER 72388-OAA1LF
18 VARIETIES AA = 01 TO 18
USE IN CONJUNCTIONS WITH HEADER CODING
KEYS 70274-001 KEYS 1 TO 18 RESPECTIVELY

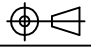

COMPONENT PART NUMBERS AND INFORMATION

CONNECTOR SUBASSEMBLY
PART NUMBER 72394-W2Y1LF
* 2 REQUIRED PER CONNECTOR
PLATING ON CONTACT AREA.
W=1 FOR 0.8 um GOLD
W=2 FOR 2.0 um GOLD
W=3 FOR 1.3 um GOLD
W=9 FOR 0.8 um GXT

COPPER WIRE SIZE
Y=1 FOR 26 TO 24 GAGE
Y=2 FOR 30 TO 28 GAGE

COVER, LATCH SIDE COVER, NON-LATCH SIDE
PART NUMBER 72513-002LF PART NUMBER 72513-001LF

SHORT LATCH FINGER STANDARD LATCH FINGER
PART NUMBER 72389-001LF PART NUMBER 70289-001LF

mat'l. code		surface <input checked="" type="checkbox"/> tolerance		projection 		product family METRAL CABLE	
ltr	ecn no	dr	date	tolerances unless otherwise specified		title	
				angles	.X±0.3	4X12 UNSHIELDED	
				line	.XX±0.13	CABLE CONNECTOR KIT	
				0'±5"	.XXX±0.051	scale 1:1	
		dr	J.VOLSTROF	11/5/97		dwg no sheet 3 of 3 size	
		engr	J.VOLSTROF	11/5/97		72477 A4	
		chr	J.VOLSTROF	11/5/97			
		appd	J.VOLSTROF	11/5/97			
sheet index	revision sheet	E	E	E		type Product Customer Drawing	
		1	2	3			