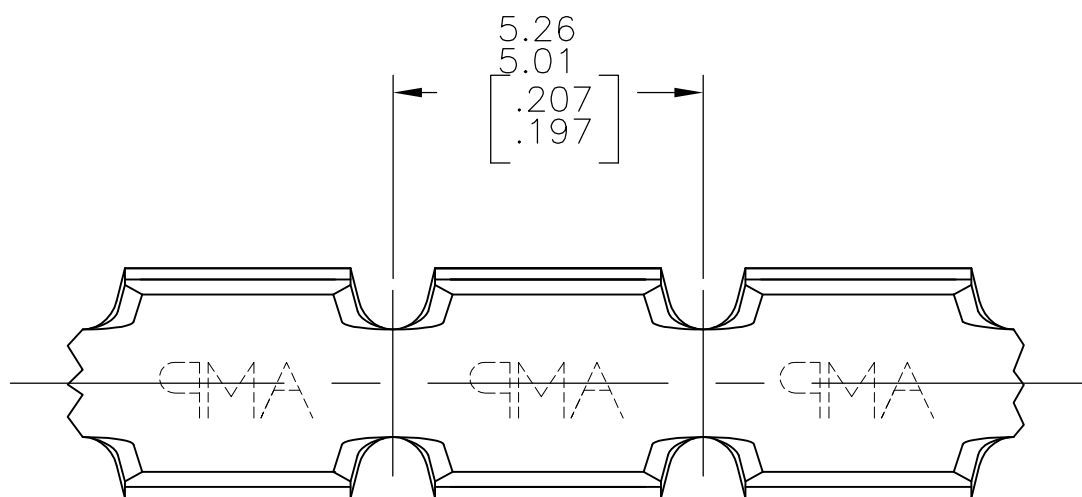
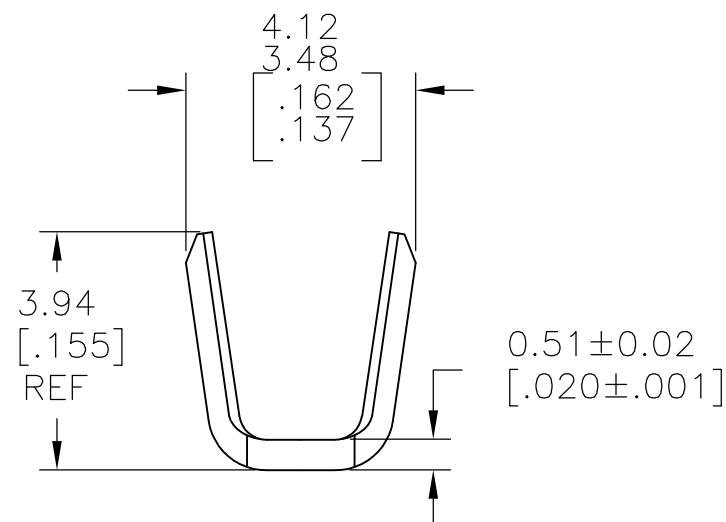
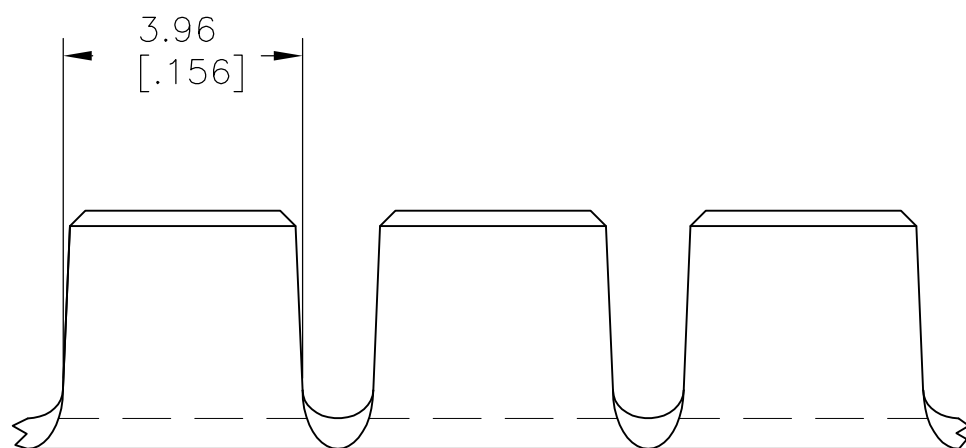


THIS DRAWING IS UNPUBLISHED. RELEASED FOR PUBLICATION
 © COPYRIGHT BY TYCO ELECTRONICS CORPORATION. ALL INTERNATIONAL RIGHTS RESERVED.

LOC	DIST	REVISIONS			
P	LTR	DESCRIPTION	DATE	DWN	APVD
AF	50	R2	REVISED PER ECR-11-001036	21JAN11	HMR GJ



- 1 PRODUCT SUPPLIED CONTINUOUS ON REELS. BREAKS MAY BE PRESENT.
- 2 WIRE RANGE: 1.27–2.38mm²[2500–4700 CMA].
- 3 CRIMP WIDTH: 3.05[.120] F TYPE. CRIMP HEIGHT IN INCHES (±.002)=(TOTAL CMA OF WIRES+12240)/220000.



41397
PART NO

THIS DRAWING IS A CONTROLLED DOCUMENT.		DWN RAGHAVENDRA 02JUL07	Tyco Electronics Corporation Harrisburg, PA 17105-3608		
DIMENSIONS: mm [INCHES]	TOLERANCES UNLESS OTHERWISE SPECIFIED:	CHK G.D.PORTA 02JUL07	NAME		
	0 PLC ± -	APVD G.D.PORTA 02JUL07	PRODUCT SPEC		
	1 PLC ± -	PRODUCT SPEC	APPLICATION SPEC		
MATERIAL	FINISH	114-2088	SIZE	CAGE CODE	DRAWING NO
TEMP 3 STEEL	NICKEL	WEIGHT -	A3	00779	C-41397
CUSTOMER DRAWING			RESTRICTED TO	SCALE 8:1	SHEET 1 OF 1
					REV R2