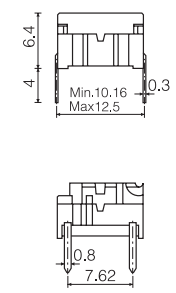
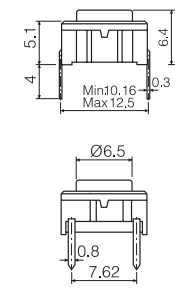
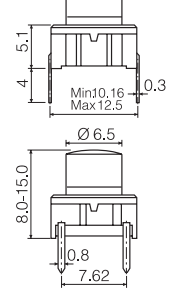
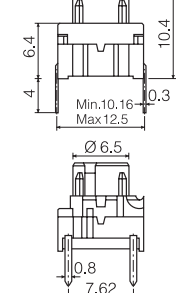
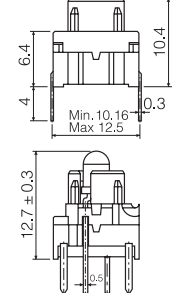
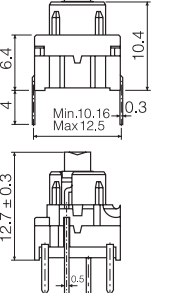
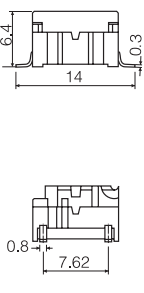
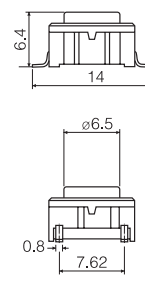
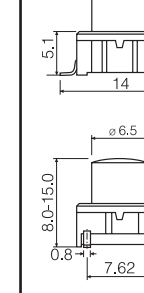
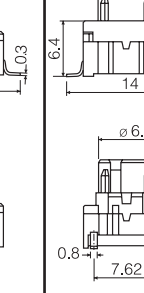
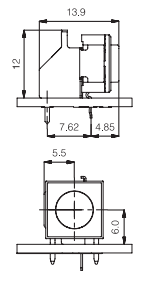
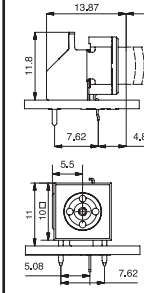
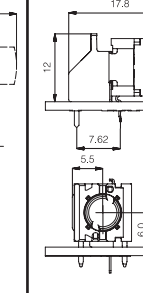
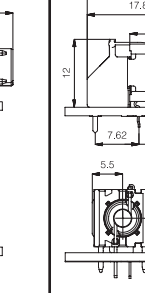
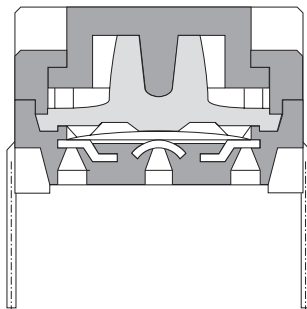


Through-hole Versions					
3A	3C	3E	3F		
For: 1A/1B/1M/1ZA/1ZB		For: 3E actuators/ Varimec	For:1D/1GA/1GC/1K/ 1N/1P/1S/1T/1U/1V/ 1WA/1WD/1WP/ 1X/ 1ZC	w/LED for 1D/1E/1F/ 1N/1Q/1R/1S/1X	w/LED for 1K/1KB/ 1KC/1T/1U/1V/ 1WA/1WD/1WP
					
Standard Version					
3ATL6 3ATH9	3CTL6/3CTL9 3CTH9	3ETLXX-H* 3ETHXX-H*	3FTL6 3FTH9	3FTL600/20/40/60/ 80/2040/8020/8040	3FTL623/45/88
* 3E available in 6 standard heights: 08.0, 09.5, 10.4, 11.0, 12.0, 15.0 mm. Other heights between 08.0 and 15.0 are available upon request.					
Specials: Gold contacts, quiet version and actuation force other than 3.0N					

Surface Mount Versions				Right Angle Versions			
3A	3C	3E	3F	3C	3E	3F	3F w/LED
For: 1A/1B/1M/1ZA/ 1ZB		For: 3E actuators/ Varimec	For: 1D/1K/1N/ 1P/1S/1T/1U/ 1V/1WA/1WD/ 1WP/1X/1ZC/ 1GA/1GC		For: 3E actuators/ Varimec	For: 1D/1K/1N/ 1P/1S/1T/1U/ 1V/1WA/1WD/ 1WP/1X/1ZC/ 1GA/1GC	For: 1D/1E/1F/ 1N/1Q/1R/1S
							
Standard Versions				Standard Versions			
3ASH9 3ASH9R	3CSH9 3CSH9R	3ESH9 3ESH9R	3FSH9 3FSH9R	3CTL6RAS	3ETXX-X.XRAS	3FTL6RAS	3FTL600/20/40/ 60/80/2040/ 8020/8040RAS

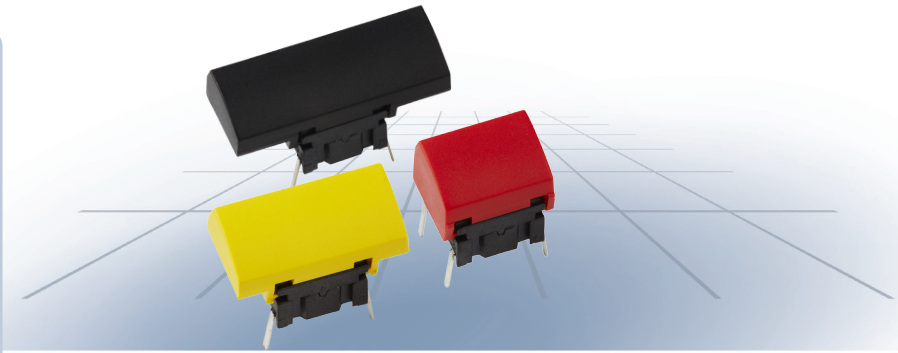
Co-planarity = ≤0.05 DIMENSIONS (mm) Unless otherwise specified, all tolerances ±0.2

## multimec® Cross Sections

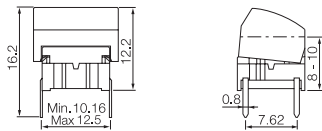


### Technical Data

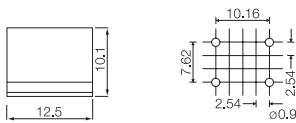
- through-hole or SMD
- 50mA/24VDC
- single pole/momentary
- 10.000.000 operations life time
- IP67 sealing
- temperature range:
  - low temp: -40/+115°C
  - high temp: -40/+160°C



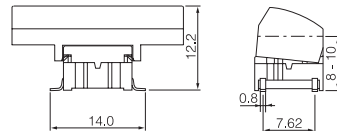
### Dimensions (through-hole) 1A



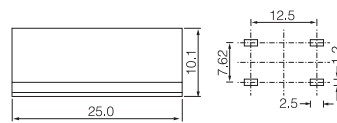
### PCB layout



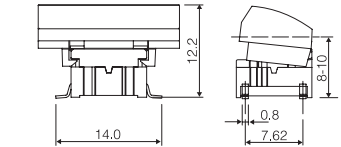
### Dimensions (SMD) 1M



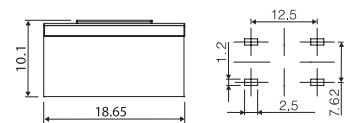
### PCB layout



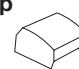

### Dimensions (SMD) 1ZA

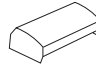


### PCB layout



### How to order

<b>3 A</b>	<input type="checkbox"/>	<input type="checkbox"/>	+	<b>1 A</b>	<input type="checkbox"/>		
Switch	<b>Mounting</b>	<b>L 6</b> low temp.		<b>Cap</b>	<b>00</b> blue	<b>30*</b> ultra blue	<b>50*</b> metal dark blue
	<b>T</b> through-hole	<b>H 9</b> high temp.			<b>02</b> green	<b>40*</b> dusty blue	<b>53*</b> metal light grey
	<b>S</b> surface mount			<b>1 Z A</b>	<b>03*</b> grey	<b>42*</b> aqua blue	<b>57*</b> metal dark grey
				<b>Cap</b>	<b>04</b> yellow	<b>32</b> mint green	<b>58*</b> metal bordeaux
					<b>06*</b> white	<b>33</b> tele grey	
					<b>08</b> red	<b>34</b> melon	
					<b>09*</b> black	<b>38</b> noble red	<b>*) Colours for 1ZA</b>

<b>3 A</b>	<input type="checkbox"/>	<input type="checkbox"/>	+	<b>1 M</b>	<input type="checkbox"/>
Switch	<b>Mounting</b>	<b>L 6</b> low temp.		<b>Cap</b>	<b>00</b> blue
	<b>T</b> through-hole	<b>H 9</b> high temp.			<b>02</b> green
	<b>S</b> surface mount				<b>03</b> grey
					<b>04</b> yellow
					<b>06</b> white
					<b>08</b> red
					<b>09</b> black

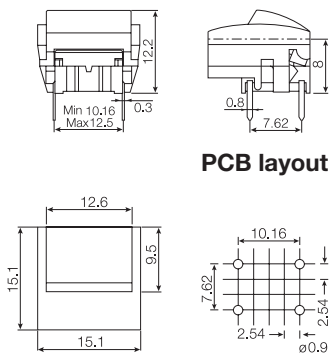
Ordering example: 3ATL6+1ZA40

### Technical Data

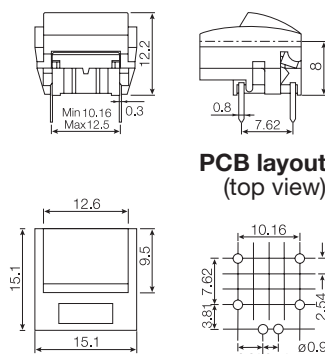
- through-hole or SMD
- 50mA/24VDC
- single pole/momentary
- 10.000.000 operations life time
- IP67 sealing
- temperature range:
  - low temp: -40/+115°C
  - high temp: -40/+160°C



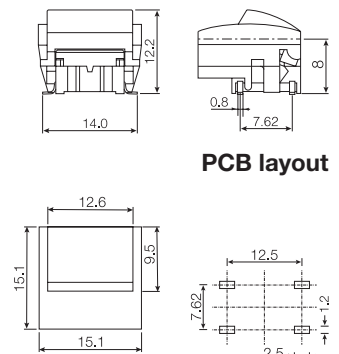
### Dimensions (through-hole)





### Dimensions w/LED PCB mounted (2D)






### Dimensions (SMD)



### How to order

<b>3 A</b>	<input type="checkbox"/>	<input type="checkbox"/>	+	<b>1 B</b>	<input type="checkbox"/>	+	<b>2 C</b>	<input type="checkbox"/>	<b>For 1B and 2C only:</b>	
<b>Switch</b>	<b>Mounting</b>	<b>L 6</b> low temp.		<b>Cap</b>	<b>00</b> blue		<b>Bezel</b>	<b>00</b> blue	<b>30</b> ultra blue	<b>50</b> metal dark blue
	<b>T</b> through-hole	<b>H 9</b> high temp.			<b>02</b> green			<b>02</b> green	<b>40</b> dusty blue	<b>53</b> metal light grey
	<b>S</b> surface mount				<b>03</b> grey			<b>03</b> grey	<b>42</b> aqua blue	<b>57</b> metal dark grey
					<b>04</b> yellow			<b>04</b> yellow	<b>32</b> mint green	<b>58</b> metal bordeaux
					<b>06</b> white			<b>06</b> white	<b>33</b> tele grey	
					<b>08</b> red			<b>08</b> red	<b>34</b> melon	
					<b>09</b> black			<b>09</b> black	<b>38</b> noble red	

<b>3 A</b>	<input type="checkbox"/>	<input type="checkbox"/>	+	<b>1 B</b>	<input type="checkbox"/>	+	<b>2 D</b>	<input type="checkbox"/>	<input type="checkbox"/>
<b>Switch</b>	<b>Mounting</b>	<b>L 6</b> low temp.		<b>Cap</b>	<b>00</b> blue		<b>Bezel</b>	<b>00</b> blue	<b>Lens</b>
	<b>T</b> through-hole	<b>H 9</b> high temp.			<b>02</b> green			<b>02</b> green	<b>1</b> transparent
	<b>S</b> surface mount				<b>03</b> grey			<b>03</b> grey	<b>2</b> green
					<b>04</b> yellow			<b>04</b> yellow	<b>4</b> yellow
					<b>06</b> white			<b>06</b> white	<b>6</b> frosted white
					<b>08</b> red			<b>08</b> red	<b>8</b> red
					<b>09</b> black			<b>09</b> black	
							+	<b>2 D X X X</b>	
								<b>LED for 2B bezel</b>	<b>20</b> green
									<b>40</b> yellow
									<b>80</b> red

Ordering example: 3ATL6+1B02+2D091