

A

B

C

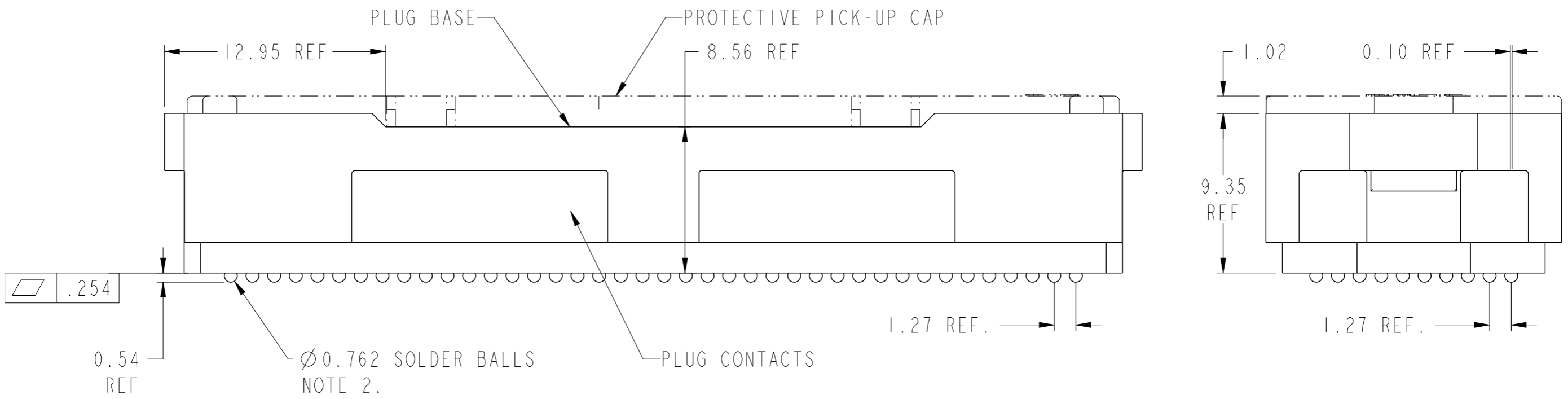
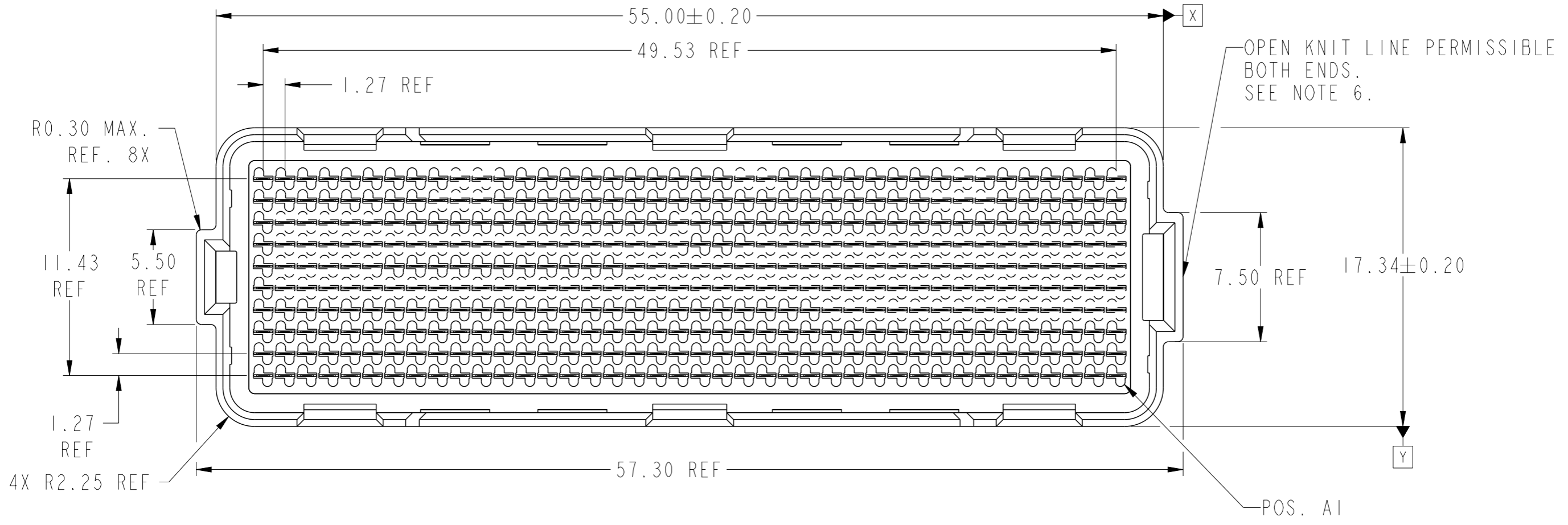
D

A

B

C

D



⊕ ⊘ .30 X Y

spec ref	-	dr	wcadmin	1999/08/19	projection	mm	size	A3	scale	4:1
tolerance std	ASME Y14.5	eng	Dave Horchler	2012/11/21			ecn no	REL V-13515-1	rel level	Released
	TOLERANCES UNLESS OTHERWISE SPECIFIED	chr	-	2012/11/27						
surface	✓	appr	R Marshall	2012/11/27			6.0mm PLUG ASSEMBLY 10 X 40 = 400 POSITIONS		dwg no 84520	rev H
ASME Y14.5	linear	0.X	±0.3	www.fci.com	cat. no.	Product - Customer Drw		sheet 1 of 5		
	angular	0°	±2°							



Copyright FCI.

A

B

C

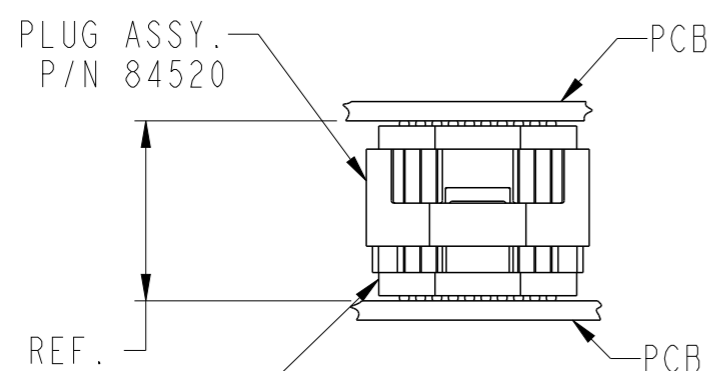
D

A

B

C

D

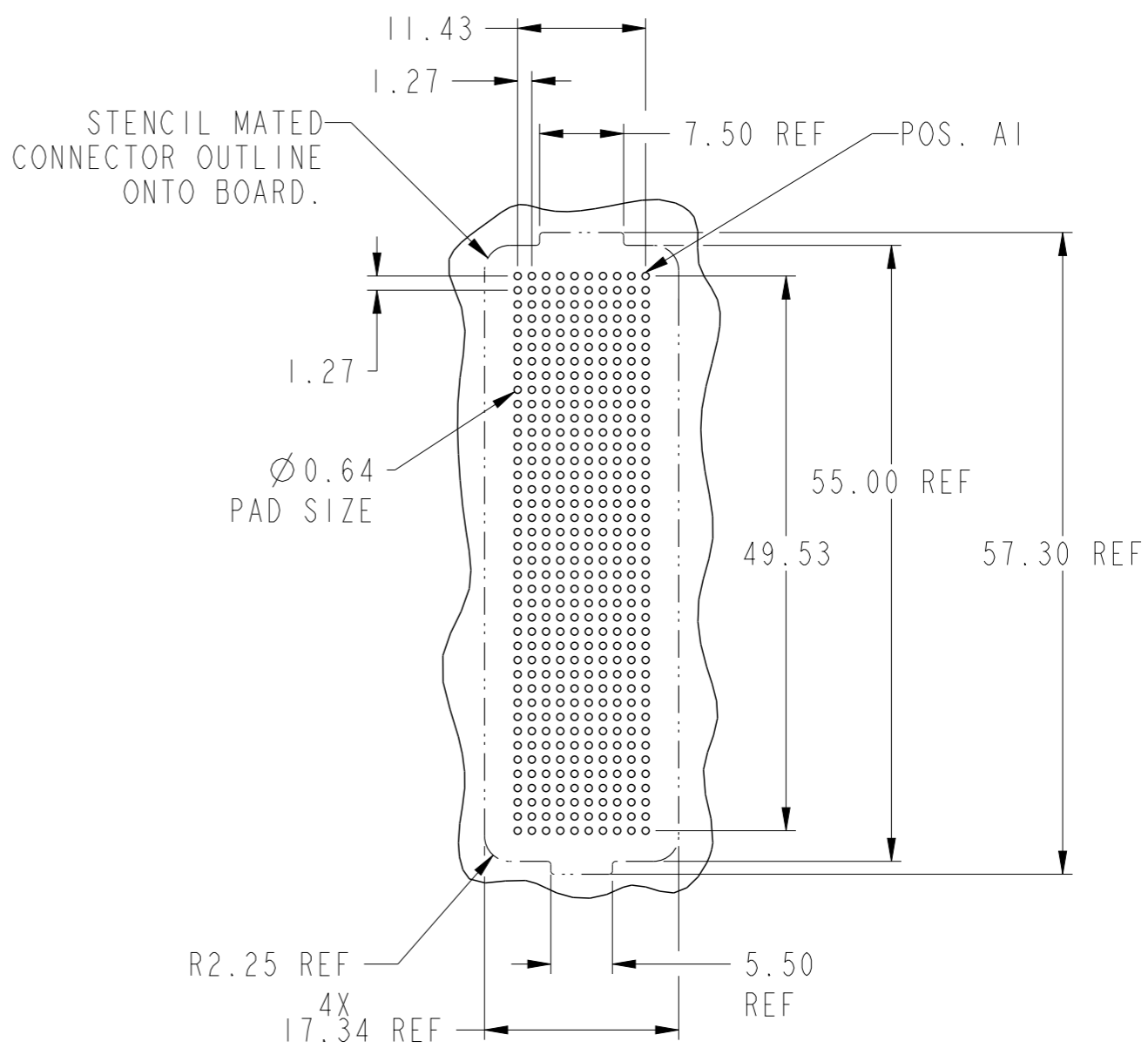


DIM "A" REF.
MATED HEIGHT
AFTER REFLOW
SEE NOTE 3.

END VIEW - MATED CONNECTORS

MATED HEIGHT AFTER REFLOW IS BASED ON Ø0.64mm PAD (METAL DEFINED) AND 0.13mm SOLDER PASTE STENCIL THICKNESS. SEE NOTE 3.

RECPT. ASSY.
(SEE TABLE BELOW)



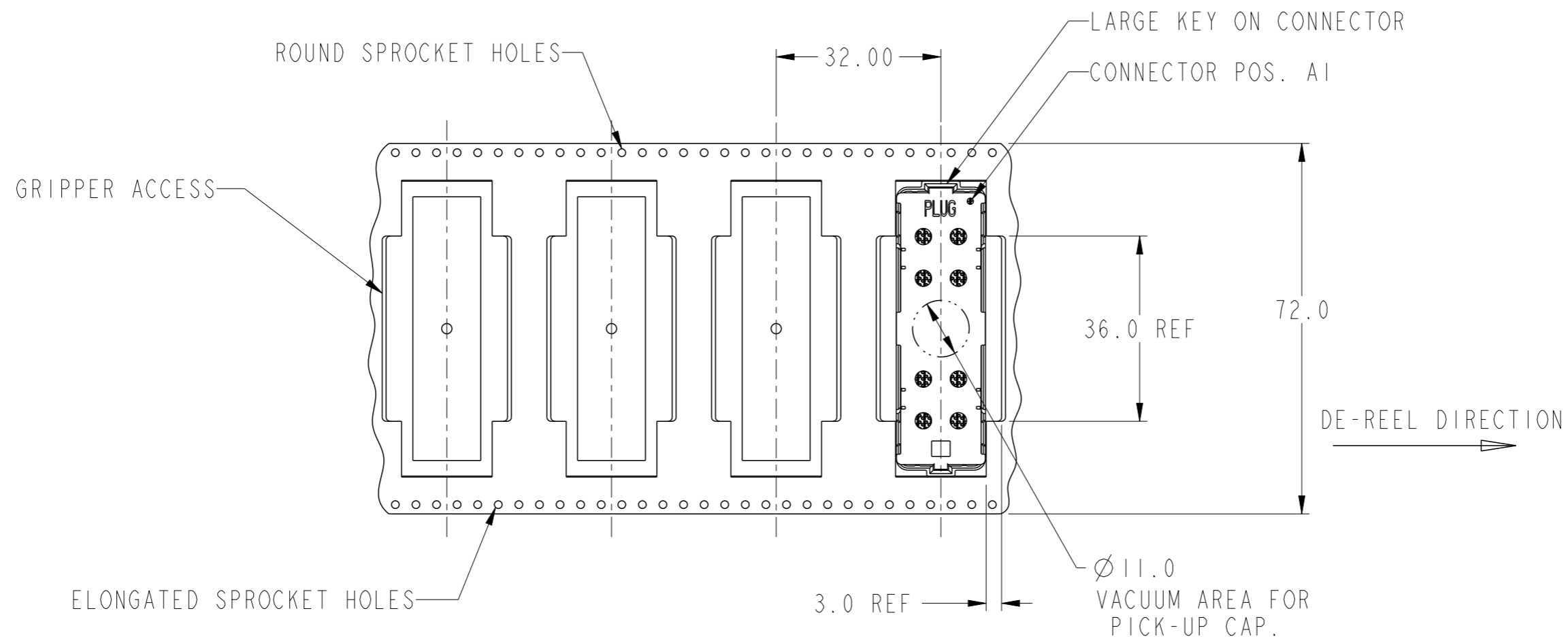
BOARD PATTERN

MATED HEIGHT TABLE		
DIM. "A"	RECPT. ASSY. P/N	-2XX PLATING
10.0	74221	SEE NOTE 4
12.0	74388	SEE NOTE 5
14.0	74390	SEE NOTE 5



Copyright FCI.

spec ref	-	dr	w cadmin	1999/08/19	projection	mm	size	A3	scale	10:1
tolerance std	ASME Y14.5	eng	Dave Horchler	2012/11/21			ecn no	ELX-V-13515-1	rel level	Released
TOLERANCES UNLESS OTHERWISE SPECIFIED		chr	-	apppr						
surface	✓	linear	0.X	±0.3		6.0mm PLUG ASSEMBLY 10 X 40 = 400 POSITIONS	dwg no	84520	rev	H
			0.XX	±0.13						
			0.XXX	±0.051						
ASME Y14.5	angular	0°	±2°	www.fci.com	cat. no.	Product - Customer Drw	sheet 2 of 5			



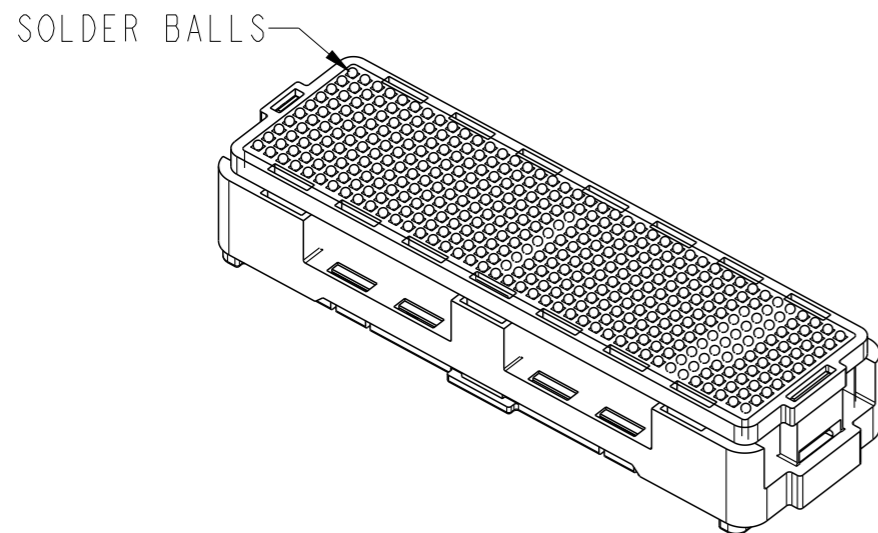
TAPE & REEL PACKAGING
PER EIA 481-3



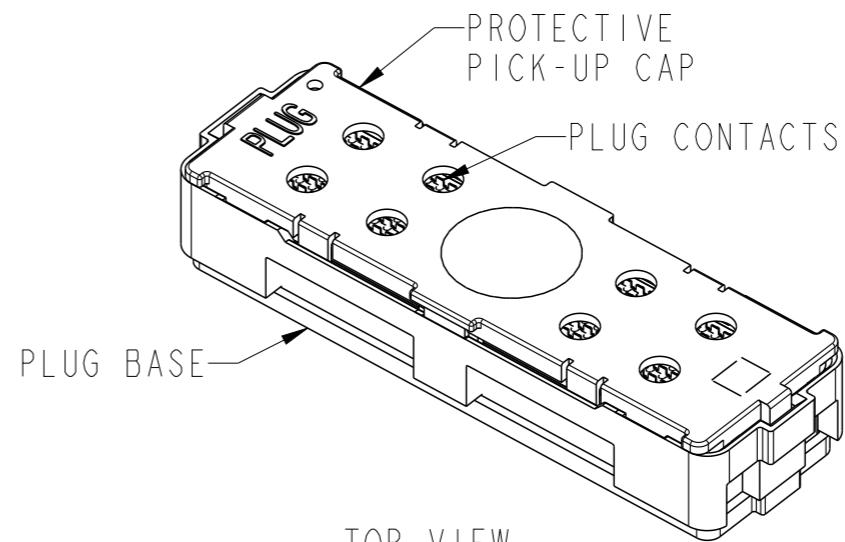
Copyright FCI.

spec ref	-	dr	w cadmin	1999/08/19	projection	mm	size	A3	scale	2:1
tolerance std	ASME Y14.5	eng	Dave Horchler	2012/11/21			ecn no		ELX-V-13515-1	
		chr	-				rel level		Released	
surface	✓	appr	R Marshall	2012/11/27	product family	MEG-ARRAY		rev		H
							6.0mm PLUG ASSEMBLY 10 X 40 = 400 POSITIONS		www.fci.com	
ASME Y14.5	linear	0.X	±0.3	0.XX	±0.13	0.XXX	±0.051	angular	0°	±2°
					cat. no.	Product - Customer Drw		sheet 3 of 5		

PRODUCT NUMBER	PICK-UP CAP (NATURAL OR BLACK COLOR)	CONTACT PLATING AND THICKNESS	SOLDER BALL	NOTES
84520-002	YES	15μ" / (.38μm) Au	SnPb	
84520-002LF	YES	15μ" / (.38μm) Au	LEAD FREE	8
84520-092	YES	15μ" / (.38μm) GXT	SnPb	
84520-092LF	YES	15μ" / (.38μm) GXT	LEAD FREE	8
84520-102	YES	30μ" / (.76μm) Au	SnPb	
84520-102LF	YES	30μ" / (.76μm) Au	LEAD FREE	8
84520-192	YES	30μ" / (.76μm) GXT	SnPb	
84520-192LF	YES	30μ" / (.76μm) GXT	LEAD FREE	8
84520-202	YES	50μ" / (1.27μm) Au SPECIAL	SnPb	4 AND 5
84520-202LF	YES	50μ" / (1.27μm) Au SPECIAL	LEAD FREE	4, 5, AND 8
84520-292	YES	50μ" / (1.27μm) GXT SPECIAL	SnPb	4 AND 5
84520-292LF	YES	50μ" / (1.27μm) GXT SPECIAL	LEAD FREE	4, 5 AND 8
84520-302	YES	15μ" / (.38μm) Au SPECIAL	SnPb	9
84520-302LF	YES	15μ" / (.38μm) Au SPECIAL	LEAD FREE	8 AND 9
84520-402	YES	30μ" / (.76μm) Au SPECIAL	SnPb	9
84520-402LF	YES	30μ" / (.76μm) Au SPECIAL	LEAD FREE	8 AND 9
84520-502	YES	Au SPECIAL	SnPb	4 AND 5
84520-502LF	YES	Au SPECIAL	LEAD FREE	4, 5 AND 8



BOTTOM VIEW



TOP VIEW

spec ref	-	dr	wcadmin	1999/08/19	projection	mm	size	A3	scale	17:10
tolerance std	ASME Y14.5	eng	Dave Horchler	2012/11/21			ecn no	ELX-V-13515-1	rel level	Released
	TOLERANCES UNLESS OTHERWISE SPECIFIED	chr	-	-						
surface	linear	appr	R Marshall	2012/11/27	product family	MEG-ARRAY	rel level	Released		
	ASME Y14.5	angular	0°	±2°			title 6.0mm PLUG ASSEMBLY 10 X 40 = 400 POSITIONS	dwg no 84520	rev H	
www.fci.com		cat. no.		Product - Customer Drw			sheet 4 of 5			

PRODUCT NUMBER

SEE TABLE

NOTES:

- 1. MATERIAL:
HOUSING: LCP
CONTACT: COPPER ALLOY

PLATING:
CONTACT: SEE TABLE ON SHEET 4
SOLDER BALL: SEE TABLE ON SHEET 4
EUTECTIC SnPb OR LEAD FREE
95.5Sn/4Ag/0.5Cu
- 2. SOLDER BALLS WILL NOT BE PERFECT SPHERICAL SHAPE DUE TO REFLOW ATTACHMENT.
- 3. MATED HEIGHT EFFECTED BY CUSTOMER'S PCB PAD SIZE, PLATING, SOLDER REFLOW PROFILE & SOLDER PASTE.
- 4. PLATING FOR INDICATED -2XX SERIES PRODUCT NUMBERS MEET THE REQUIREMENTS OF GR-1217-CORE, CENTRAL OFFICE ENVIRONMENT, (25 YEAR LIFE EXPECTANCY).
- 5. PLATING FOR INDICATED -2XX SERIES PART NOS. IS Au OVER Ni WITH SPECIAL CONTACT GEOMETRY TO MEETS REQUIREMENTS OF TELCORDIA GR-1217-CORE: CENTRAL OFFICE ENVIRONMENT.
- 6. KNIT LINE: SLIGHT VISIBLE MARKS (USUALLY A LINE) INDICATING THE DIRECTION AND MEETING POINT OF PLASTIC RESIN FLOW FRONTS TRAVELING AROUND ANY OBSTRUCTIONS TO THE RESIN FLOW VIA THE REQUIRED MOLD TOOLING.

- 7. FOR PROPER APPLICATION FOLLOW FCI APPLICATION SPECIFICATION GS-20-033. LEAD FREE SOLDER BALLS WILL NOT SOLDER PROPERLY IN A LEADED SOLDER PROCESS DUE TO A HIGHER REFLOW TEMPERATURE LEAD FREE PRODUCT IS THEREFORE NOT BACKWARDS COMPATIBLE WITH LEADED OR SOME SOLDERING APPLICATIONS. REFERENCE FCI APPLICATION SPECIFICATION.
- 8. THIS PRODUCT MEETS EUROPEAN UNION DIRECTIVE AND OTHER COUNTRY REGULATIONS AS DESCRIBED IN GS-47-0004. PRODUCT MEETING THIS DIRECTIVE IS IDENTIFIED IN THE LOT CODE NUMBER MARKED ON EACH PART BY HAVING AN "X" IN THE SEVENTH CHARACTER POSITION.
- 9. 84520-302, -302LF, -402, -402LF, -502 AND -502LF ARE OBSOLETE.
- 11. A \oplus SYMBOL WILL BE NEXT TO ANY DIMENSION, NEW VIEW, OR NOTE WHICH HAS BEEN MODIFIED WITH THE CURRENT DRAWING REVISION.



Copyright FCI.

spec ref	-	dr	wcadmin	1999/08/19	projection	mm	size	A3	scale	2:1	
tolerance std	ASME Y14.5	eng	Dave Horchler	2012/11/21		← →	ecn no		ELX-V-13515-1		
	TOLERANCES UNLESS OTHERWISE SPECIFIED	chr	-	-			product family		MEG-ARRAY		rel level
surface	✓	appr	R Marshall	2012/11/27	6.0mm PLUG ASSEMBLY			dwg no	54520	rev	H
ASME Y14.5	linear	www.fci.com		cat. no.	10 X 40 = 400 POSITIONS			Product - Customer Drw		sheet 5 of 5	
	angular	0°	±2°								